



MEGADYNE



MEGAPULLEY
CATALOGO CATALOGUE



Megadyne è un gruppo leader nella produzione di componenti per trasmissione di moto ad elevata qualità in Europa e nel mondo.

Questo successo si basa sul continuo sviluppo di materiali, tecniche e metodi produttivi, unito ad elevatissimi livelli di specializzazione.

Tali caratteristiche costituiscono la risposta alle sempre più esigenti richieste del mercato.

Gli elevati standard qualitativi raggiunti dalle pulegge Megadyne sono ulteriormente garantiti da un'intensa attività di ricerca. L'Unità Produttiva di Caponago (Milano) comprende una delle officine più grandi d'Italia, modernamente organizzata con un vasto assortimento di macchine in grado di realizzare pulegge e piastre da catalogo e su disegno del Cliente.

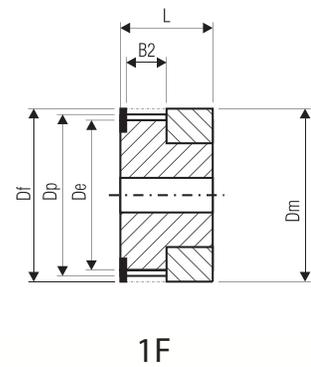
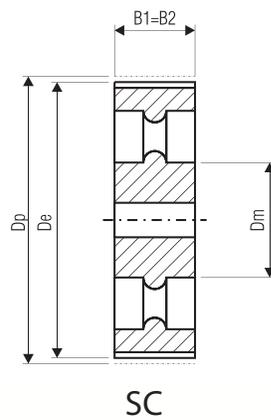
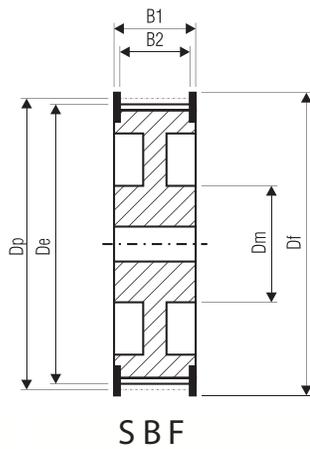
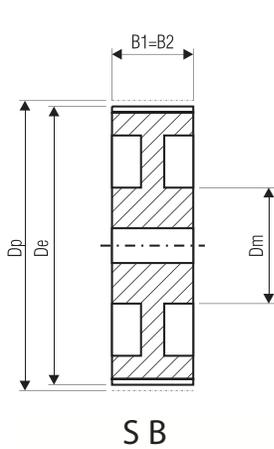
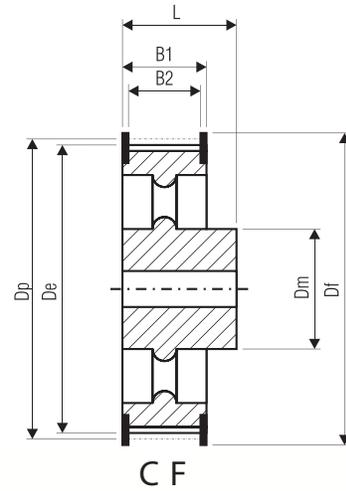
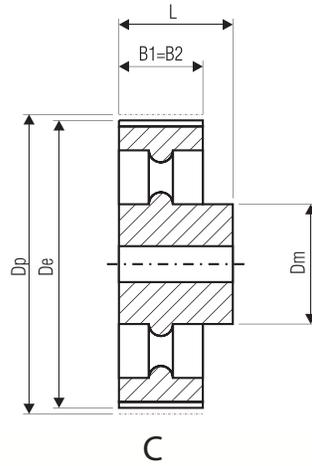
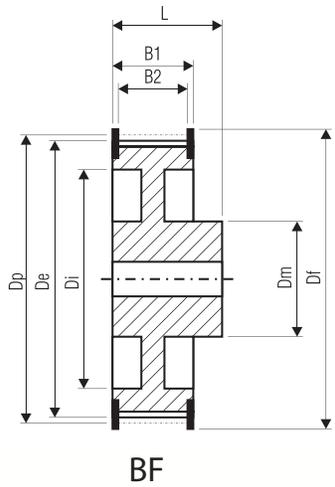
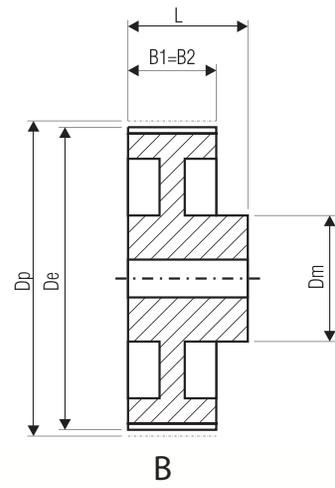
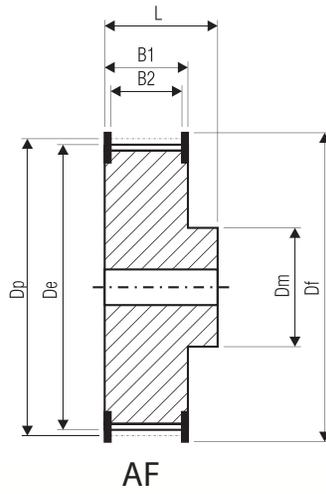
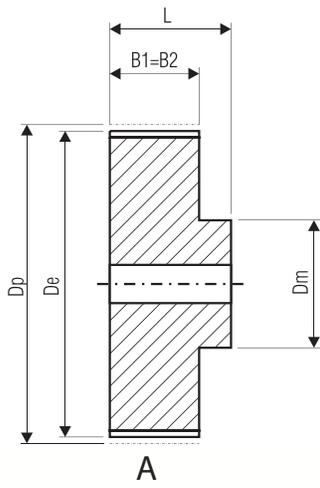
Megadyne si concentra sulle esigenze del Cliente per proporsi come vero e proprio partner per tutto il sistema delle trasmissioni, focalizzando l'attenzione sia sui metodi di produzione sia sulla qualità.

L'Unità Produttiva di Caponago, come del resto tutte le principali unità produttive Megadyne, ha conseguito e mantiene costantemente la Certificazione del Sistema Qualità.



TUV
ISO 9001

*Megadyne S. & D. S.r.l.
Unità Produttiva di Caponago
Italia - Caponago*





| | |
|---|-----------|
| PULEGGE A DISEGNO / CUSTOM MADE PULLEYS..... | 4 |
| PULEGGE DENTATE PASSO METRICO T2,5 / T2.5 METRIC PITCH TIMING PULLEYS | 6 |
| PULEGGE DENTATE PASSO METRICO T5 / T5 METRIC PITCH TIMING PULLEYS | 7 |
| PULEGGE DENTATE PASSO METRICO T10 / T10 METRIC PITCH TIMING PULLEYS | 8 |
| PULEGGE DENTATE PASSO METRICO T20 / T20 METRIC PITCH TIMING PULLEYS | 9 |
| PULEGGE DENTATE PASSO METRICO AT5 / AT5 METRIC PITCH TIMING PULLEYS..... | 11 |
| PULEGGE DENTATE PASSO METRICO AT10 / AT10 METRIC PITCH TIMING PULLEYS..... | 12 |
| PULEGGE DENTATE PASSO METRICO AT20 / AT20 METRIC PITCH TIMING PULLEYS..... | 13 |
| PULEGGE DENTATE PASSO IN POLLICI MXL / MXL IMPERIAL PITCH TIMING PULLEYS..... | 15 |
| PULEGGE DENTATE PASSO IN POLLICI XL / XL IMPERIAL PITCH TIMING PULLEYS | 15 |
| PULEGGE DENTATE PASSO IN POLLICI L / L IMPERIAL PITCH TIMING PULLEYS..... | 16 |
| PULEGGE DENTATE PASSO IN POLLICI H / H IMPERIAL PITCH TIMING PULLEYS | 19 |
| PULEGGE DENTATE PASSO IN POLLICI XH / XH IMPERIAL PITCH TIMING PULLEYS..... | 24 |
| PULEGGE DENTATE PASSO HTD3 / HTD3 PITCH TIMING PULLEYS | 25 |
| PULEGGE DENTATE PASSO HTD5 / HTD5 PITCH TIMING PULLEYS | 26 |
| PULEGGE DENTATE PASSO HTD8 / HTD8 PITCH TIMING PULLEYS | 27 |
| PULEGGE DENTATE PASSO HTD14 / HTD14 PITCH TIMING PULLEYS | 29 |
| PULEGGE DENTATE PASSO HTD8 PER BUSSOLA CONICA / HTD8 PITCH TAPER BORE TIMING PULLEYS .. | 32 |
| PULEGGE DENTATE PASSO HTD14 PER BUSSOLA CONICA / HTD14 PITCH TAPER BORE TIMING PULLEYS | 33 |
| BARRE DENTATE PASSO METRICO T / T METRIC PITCH TIMING BARS..... | 36 |
| BARRE DENTATE PASSO METRICO AT / AT METRIC PITCH TIMING BARS | 37 |
| BARRE DENTATE PASSO HTD / HTD PITCH TIMING BARS | 38 |
| PIASTRE DENTATE / CLAMPING PLATES | 39 |
| BUSSOLE CONICHE / TAPER BUSHES | 40 |
| FLANGE PER PULEGGE DENTATE / FLANGES FOR TIMING PULLEYS..... | 41 |

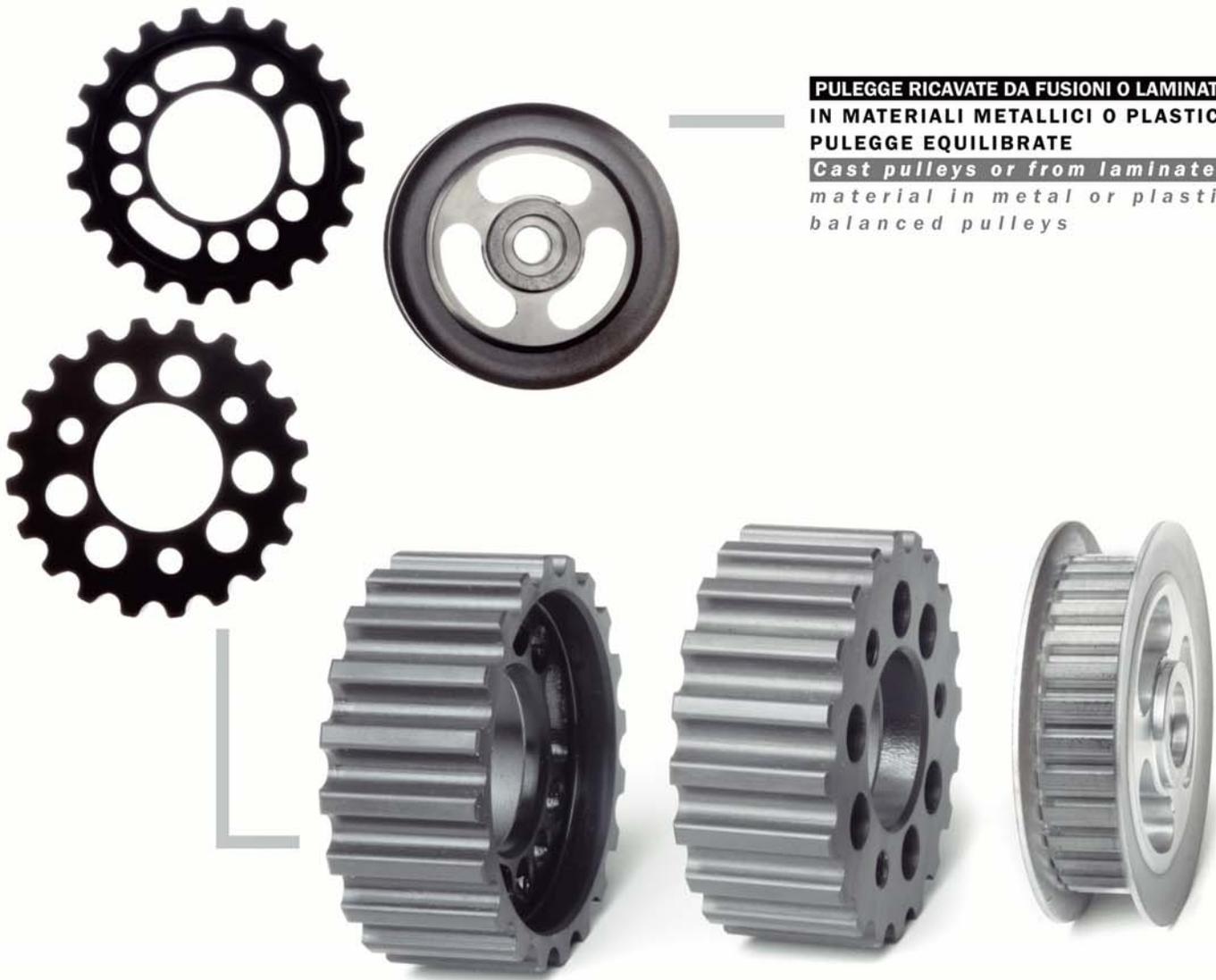


**PULEGGE PER OGNI TIPO DI APPLICAZIONE
IN CAMPO AUTOMOBILISTICO O INDUSTRIALE**
*Pulleys for all type of applications
in the industrial or automotive field*



**PULEGGE RICAVATE DA FUSIONI O LAMINATI,
IN MATERIALI METALLICI O PLASTICI.
PULEGGE EQUILIBRATE**

*Cast pulleys or from laminated
material in metal or plastic
balanced pulleys*



**SI ESEGUONO TRATTAMENTI SUPERFICIALI
PROTETTIVI E ANTICORROSIVI**

*We carry out surface treatments:
protective and anticorrosive*

**PULEGGE REALIZZATE CON
PROFILI STANDARD O SPECIALI**
Standard or special profile pulleys



T2,5 06 (passo 2,5 mm) per cinghia di larghezza 6 mm
T2,5 06 (2,5 mm pitch) for 6 mm width belt

| Alluminio / Aluminium | Codice Code | Disegno Drawing | N° Denti Teeth | Dp | De | Flangia 0,5 Flange 0,5 | Df | Dm | B1 | B2 | L |
|-----------------------|-------------|-----------------|----------------|-------|-------|------------------------|------|----|----|----|----|
| | 16T2,5/12-2 | 1F | 12 | 9,55 | 9,03 | Bm73 | 12,0 | 12 | 9 | 8 | 16 |
| | 16T2,5/14-2 | 1F | 14 | 11,14 | 10,62 | Bm74 | 15,0 | 14 | 9 | 8 | 16 |
| | 16T2,5/15-2 | 1F | 15 | 11,94 | 11,42 | Bm74 | 15,0 | 15 | 9 | 8 | 16 |
| | 16T2,5/16-2 | 1F | 16 | 12,73 | 12,21 | Bm75 | 16,0 | 16 | 9 | 8 | 16 |
| | 16T2,5/18-2 | AF | 18 | 14,32 | 13,80 | Bm75 | 16,0 | 10 | 10 | 8 | 16 |
| | 16T2,5/19-2 | AF | 19 | 15,12 | 14,60 | Bm0 | 19,5 | 10 | 10 | 8 | 16 |
| | 16T2,5/20-2 | AF | 20 | 15,92 | 15,40 | Bm1 | 22,0 | 11 | 10 | 8 | 16 |
| | 16T2,5/22-2 | AF | 22 | 17,51 | 16,99 | Bm1 | 22,0 | 11 | 10 | 8 | 16 |
| | 16T2,5/24-2 | AF | 24 | 19,10 | 18,58 | Bm1 | 22,0 | 12 | 10 | 8 | 16 |
| | 16T2,5/25-2 | AF | 25 | 19,89 | 19,37 | Bm2 | 25,0 | 13 | 10 | 8 | 16 |
| | 16T2,5/26-2 | AF | 26 | 20,69 | 20,17 | Bm2 | 25,0 | 14 | 10 | 8 | 16 |
| 16T2,5/28-2 | AF | 28 | 22,28 | 21,76 | Bm2 | 25,0 | 14 | 10 | 8 | 16 | |
| 16T2,5/30-2 | AF | 30 | 23,87 | 23,35 | Bm3 | 28,0 | 16 | 10 | 8 | 16 | |
| 16T2,5/32-2 | AF | 32 | 25,46 | 24,95 | Bm4 | 32,0 | 16 | 10 | 8 | 16 | |
| 16T2,5/36-2 | AF | 36 | 28,65 | 28,13 | Bm5 | 36,0 | 20 | 10 | 8 | 16 | |
| 16T2,5/40-2 | AF | 40 | 31,83 | 31,31 | Bm6 | 38,0 | 22 | 10 | 8 | 16 | |
| 16T2,5/44-0 | A | 44 | 35,01 | 34,50 | - | - | 24 | 10 | - | 16 | |
| 16T2,5/48-0 | A | 48 | 38,20 | 37,68 | - | - | 26 | 10 | - | 16 | |
| 16T2,5/60-0 | A | 60 | 47,75 | 47,23 | - | - | 34 | 10 | - | 16 | |

T5 10 (passo 5 mm) per cinghia di larghezza 10 mm
T5 10 (5 mm pitch) for 10 mm width belt

| Alluminio / Aluminium | Codice Code | Disegno Drawing | N° Denti Teeth | Dp | De | Flangia 1,0 Flange 1,0 | Df | Dm | B1 | B2 | L |
|-----------------------|-------------|-----------------|----------------|-------|-------|------------------------|------|----|------|------|----|
| | 21T5/10-2 | AF | 10 | 15,92 | 15,09 | Bm0 | 19,5 | 11 | 15 | 11,5 | 21 |
| | 21T5/12-2 | AF | 12 | 19,10 | 18,27 | Bm1 | 22,0 | 11 | 15 | 11,5 | 21 |
| | 21T5/14-2 | AF | 14 | 22,28 | 21,45 | Bm2 | 25,0 | 14 | 15 | 11,5 | 21 |
| | 21T5/15-2 | AF | 15 | 23,87 | 23,04 | Bm3 | 28,0 | 16 | 15 | 11,5 | 21 |
| | 21T5/16-2 | AF | 16 | 25,46 | 24,64 | Bm4 | 32,0 | 18 | 15 | 11,5 | 21 |
| | 21T5/18-2 | AF | 18 | 28,65 | 27,82 | Bm4 | 32,0 | 20 | 15 | 11,5 | 21 |
| | 21T5/19-2 | AF | 19 | 30,24 | 29,41 | Bm5 | 36,0 | 22 | 15 | 11,5 | 21 |
| | 21T5/20-2 | AF | 20 | 31,83 | 31,00 | Bm5 | 36,0 | 23 | 15 | 11,5 | 21 |
| | 21T5/22-2 | AF | 22 | 35,01 | 34,19 | Bm6 | 38,0 | 24 | 15 | 11,5 | 21 |
| | 21T5/24-2 | AF | 24 | 38,20 | 37,37 | Bm7 | 41,0 | 26 | 15 | 11,5 | 21 |
| | 21T5/25-2 | AF | 25 | 39,79 | 38,96 | Bm8 | 47,0 | 26 | 15 | 11,5 | 21 |
| | 21T5/26-2 | AF | 26 | 41,38 | 40,55 | Bm8 | 47,0 | 26 | 15 | 11,5 | 21 |
| | 21T5/27-2 | AF | 27 | 42,97 | 42,14 | Bm9 | 48,0 | 30 | 15 | 11,5 | 21 |
| | 21T5/28-2 | AF | 28 | 44,56 | 43,73 | Bm9 | 48,0 | 32 | 15 | 11,5 | 21 |
| | 21T5/30-2 | AF | 30 | 47,75 | 46,92 | Bm10 | 51,0 | 34 | 15 | 11,5 | 21 |
| | 21T5/32-2 | AF | 32 | 50,93 | 50,10 | Bm11 | 54,0 | 38 | 15 | 11,5 | 21 |
| 21T5/36-2 | AF | 36 | 57,30 | 56,47 | Bm14 | 63,0 | 38 | 15 | 11,5 | 21 | |
| 21T5/40-2 | AF | 40 | 63,66 | 62,83 | Bm15 | 66,0 | 40 | 15 | 11,5 | 21 | |
| 21T5/42-2 | AF | 42 | 66,85 | 66,02 | Bm16 | 72,0 | 40 | 15 | 11,5 | 21 | |
| 21T5/44-0 | A | 44 | 70,03 | 69,20 | - | - | 45 | 15 | - | 21 | |
| 21T5/48-0 | A | 48 | 76,39 | 75,57 | - | - | 50 | 15 | - | 21 | |
| 21T5/60-0 | A | 60 | 95,49 | 94,67 | - | - | 65 | 15 | - | 21 | |

"Df e Dm possono variare senza preavviso"

"Nelle forme costruttive gli scarichi di alleggerimento possono leggermente variare"



T5 16 (passo 5 mm) per cinghia di larghezza 16 mm T5 16 (5 mm pitch) for 16 mm width belt

| Alluminio / Aluminium | Codice Code | Disegno Drawing | N° Denti Teeth | Dp | De | Flangia 1,0 Flange 1,0 | Df | Dm | B1 | B2 | L |
|-----------------------|-------------|-----------------|----------------|-------|-------|------------------------|------|----|------|------|----|
| | 27T5/10-2 | AF | 10 | 15,92 | 15,09 | Bm0 | 19,5 | 11 | 21 | 17,5 | 27 |
| | 27T5/12-2 | AF | 12 | 19,10 | 18,27 | Bm1 | 22,0 | 11 | 21 | 17,5 | 27 |
| | 27T5/14-2 | AF | 14 | 22,28 | 21,45 | Bm2 | 25,0 | 14 | 21 | 17,5 | 27 |
| | 27T5/15-2 | AF | 15 | 23,87 | 23,04 | Bm3 | 28,0 | 16 | 21 | 17,5 | 27 |
| | 27T5/16-2 | AF | 16 | 25,46 | 24,64 | Bm4 | 32,0 | 18 | 21 | 17,5 | 27 |
| | 27T5/18-2 | AF | 18 | 28,65 | 27,82 | Bm4 | 32,0 | 20 | 21 | 17,5 | 27 |
| | 27T5/19-2 | AF | 19 | 30,24 | 29,41 | Bm5 | 36,0 | 22 | 21 | 17,5 | 27 |
| | 27T5/20-2 | AF | 20 | 31,83 | 31,00 | Bm5 | 36,0 | 23 | 21 | 17,5 | 27 |
| | 27T5/22-2 | AF | 22 | 35,01 | 34,19 | Bm6 | 38,0 | 24 | 21 | 17,5 | 27 |
| | 27T5/24-2 | AF | 24 | 38,20 | 37,37 | Bm7 | 41,0 | 26 | 21 | 17,5 | 27 |
| | 27T5/25-2 | AF | 25 | 39,79 | 38,96 | Bm8 | 47,0 | 26 | 21 | 17,5 | 27 |
| | 27T5/26-2 | AF | 26 | 41,38 | 40,55 | Bm8 | 47,0 | 26 | 21 | 17,5 | 27 |
| | 27T5/27-2 | AF | 27 | 42,97 | 42,14 | Bm9 | 48,0 | 30 | 21 | 17,5 | 27 |
| | 27T5/28-2 | AF | 28 | 44,56 | 43,73 | Bm9 | 48,0 | 32 | 21 | 17,5 | 27 |
| | 27T5/30-2 | AF | 30 | 47,75 | 46,92 | Bm10 | 51,0 | 34 | 21 | 17,5 | 27 |
| 27T5/32-2 | AF | 32 | 50,93 | 50,10 | Bm11 | 54,0 | 38 | 21 | 17,5 | 27 | |
| 27T5/36-2 | AF | 36 | 57,30 | 56,47 | Bm14 | 63,0 | 38 | 21 | 17,5 | 27 | |
| 27T5/40-2 | AF | 40 | 63,66 | 62,83 | Bm15 | 66,0 | 40 | 21 | 17,5 | 27 | |
| 27T5/42-2 | AF | 42 | 66,85 | 66,02 | Bm16 | 72,0 | 40 | 21 | 17,5 | 27 | |
| 27T5/44-0 | A | 44 | 70,03 | 69,20 | - | - | 45 | 21 | - | 27 | |
| 27T5/48-0 | A | 48 | 76,39 | 75,57 | - | - | 50 | 21 | - | 27 | |
| 27T5/60-0 | A | 60 | 95,49 | 94,67 | - | - | 65 | 21 | - | 27 | |

T5 25 (passo 5 mm) per cinghia di larghezza 25 mm T5 25 (5 mm pitch) for 25 mm width belt

| Alluminio / Aluminium | Codice Code | Disegno Drawing | N° Denti Teeth | Dp | De | Flangia 1,0 Flange 1,0 | Df | Dm | B1 | B2 | L |
|-----------------------|-------------|-----------------|----------------|-------|-------|------------------------|------|----|------|------|----|
| | 36T5/10-2 | AF | 10 | 15,92 | 15,09 | Bm0 | 19,5 | 11 | 30 | 26,5 | 36 |
| | 36T5/12-2 | AF | 12 | 19,10 | 18,27 | Bm1 | 22,0 | 11 | 30 | 26,5 | 36 |
| | 36T5/14-2 | AF | 14 | 22,28 | 21,45 | Bm2 | 25,0 | 14 | 30 | 26,5 | 36 |
| | 36T5/15-2 | AF | 15 | 23,87 | 23,04 | Bm3 | 28,0 | 16 | 30 | 26,5 | 36 |
| | 36T5/16-2 | AF | 16 | 25,46 | 24,64 | Bm4 | 32,0 | 18 | 30 | 26,5 | 36 |
| | 36T5/18-2 | AF | 18 | 28,65 | 27,82 | Bm4 | 32,0 | 20 | 30 | 26,5 | 36 |
| | 36T5/19-2 | AF | 19 | 30,24 | 29,41 | Bm5 | 36,0 | 22 | 30 | 26,5 | 36 |
| | 36T5/20-2 | AF | 20 | 31,83 | 31,00 | Bm5 | 36,0 | 23 | 30 | 26,5 | 36 |
| | 36T5/22-2 | AF | 22 | 35,01 | 34,19 | Bm6 | 38,0 | 24 | 30 | 26,5 | 36 |
| | 36T5/24-2 | AF | 24 | 38,20 | 37,37 | Bm7 | 41,0 | 26 | 30 | 26,5 | 36 |
| | 36T5/25-2 | AF | 25 | 39,79 | 38,96 | Bm8 | 47,0 | 26 | 30 | 26,5 | 36 |
| | 36T5/26-2 | AF | 26 | 41,38 | 40,55 | Bm8 | 47,0 | 26 | 30 | 26,5 | 36 |
| | 36T5/27-2 | AF | 27 | 42,97 | 42,14 | Bm9 | 48,0 | 30 | 30 | 26,5 | 36 |
| | 36T5/28-2 | AF | 28 | 44,56 | 43,73 | Bm9 | 48,0 | 32 | 30 | 26,5 | 36 |
| | 36T5/30-2 | AF | 30 | 47,75 | 46,92 | Bm10 | 51,0 | 34 | 30 | 26,5 | 36 |
| 36T5/32-2 | AF | 32 | 50,93 | 50,10 | Bm11 | 54,0 | 38 | 30 | 26,5 | 36 | |
| 36T5/36-2 | AF | 36 | 57,30 | 56,47 | Bm14 | 63,0 | 38 | 30 | 26,5 | 36 | |
| 36T5/40-2 | AF | 40 | 63,66 | 62,83 | Bm15 | 66,0 | 40 | 30 | 26,5 | 36 | |
| 36T5/42-2 | AF | 42 | 66,85 | 66,02 | Bm16 | 72,0 | 40 | 30 | 26,5 | 36 | |
| 36T5/44-0 | A | 44 | 70,03 | 69,20 | - | - | 45 | 30 | - | 36 | |
| 36T5/48-0 | A | 48 | 76,39 | 75,57 | - | - | 50 | 30 | - | 36 | |
| 36T5/60-0 | A | 60 | 95,49 | 94,67 | - | - | 65 | 30 | - | 36 | |

"Df e Dm possono variare senza preavviso"

"Nelle forme costruttive gli scarichi di alleggerimento possono leggermente variare"

T10 16 (passo 10 mm) per cinghia di larghezza 16 mm
T10 16 (10 mm pitch) for 16 mm width belt

| Alluminio / Aluminium | Codice Code | Disegno Drawing | N° Denti Teeth | Dp | De | Flangia 1,0 Flange 1,0 | Df | Dm | B1 | B2 | L |
|-----------------------|-------------|-----------------|----------------|--------|-------|------------------------|-----|----|------|------|----|
| | 31T10/12-2 | AF | 12 | 38,20 | 36,35 | Bm7 | 41 | 28 | 21 | 17,5 | 31 |
| | 31T10/14-2 | AF | 14 | 44,56 | 42,71 | Bm9 | 48 | 32 | 21 | 17,5 | 31 |
| | 31T10/15-2 | AF | 15 | 47,75 | 45,90 | Bm10 | 51 | 32 | 21 | 17,5 | 31 |
| | 31T10/16-2 | AF | 16 | 50,93 | 49,08 | Bm11 | 54 | 35 | 21 | 17,5 | 31 |
| | 31T10/18-2 | AF | 18 | 57,30 | 55,45 | Bm13 | 60 | 40 | 21 | 17,5 | 31 |
| | 31T10/19-2 | AF | 19 | 60,48 | 58,63 | Bm15 | 66 | 44 | 21 | 17,5 | 31 |
| | 31T10/20-2 | AF | 20 | 63,66 | 61,81 | Bm15 | 66 | 46 | 21 | 17,5 | 31 |
| | 31T10/22-2 | AF | 22 | 70,03 | 68,18 | Bm17 | 75 | 52 | 21 | 17,5 | 31 |
| | 31T10/24-2 | AF | 24 | 76,39 | 74,55 | Bm19 | 83 | 58 | 21 | 17,5 | 31 |
| | 31T10/25-2 | AF | 25 | 79,58 | 77,73 | Bm19 | 83 | 60 | 21 | 17,5 | 31 |
| | 31T10/26-2 | AF | 26 | 82,76 | 80,91 | Bm20 | 87 | 60 | 21 | 17,5 | 31 |
| 31T10/27-2 | AF | 27 | 85,94 | 84,10 | Bm21 | 91 | 60 | 21 | 17,5 | 31 | |
| 31T10/28-2 | AF | 28 | 89,13 | 87,28 | Bm22 | 93 | 60 | 21 | 17,5 | 31 | |
| 31T10/30-2 | AF | 30 | 95,49 | 93,65 | Bm23 | 97 | 60 | 21 | 17,5 | 31 | |
| 31T10/32-2 | AF | 32 | 101,86 | 100,01 | Bm25 | 106 | 65 | 21 | 17,5 | 31 | |
| 31T10/36-2 | AF | 36 | 114,59 | 112,74 | Bm28 | 119 | 70 | 21 | 17,5 | 31 | |
| 31T10/40-2 | AF | 40 | 127,32 | 125,48 | Bm31 | 131 | 80 | 21 | 17,5 | 31 | |
| 31T10/44-0 | A | 44 | 140,06 | 138,21 | - | - | 88 | 21 | - | 31 | |
| 31T10/48-0 | A | 48 | 152,79 | 150,94 | - | - | 95 | 21 | - | 31 | |
| 31T10/60-0 | A | 60 | 190,99 | 189,14 | - | - | 110 | 21 | - | 31 | |

T10 25 (passo 10 mm) per cinghia di larghezza 25 mm
T10 25 (10 mm pitch) for 25 mm width belt

| Alluminio / Aluminium | Codice Code | Disegno Drawing | N° Denti Teeth | Dp | De | Flangia 1,0 Flange 1,0 | Df | Dm | B1 | B2 | L |
|-----------------------|-------------|-----------------|----------------|--------|-------|------------------------|-----|----|------|------|----|
| | 40T10/12-2 | AF | 12 | 38,20 | 36,35 | Bm7 | 41 | 28 | 30 | 26,5 | 40 |
| | 40T10/14-2 | AF | 14 | 44,56 | 42,71 | Bm9 | 48 | 32 | 30 | 26,5 | 40 |
| | 40T10/15-2 | AF | 15 | 47,75 | 45,90 | Bm10 | 51 | 32 | 30 | 26,5 | 40 |
| | 40T10/16-2 | AF | 16 | 50,93 | 49,08 | Bm11 | 54 | 35 | 30 | 26,5 | 40 |
| | 40T10/18-2 | AF | 18 | 57,30 | 55,45 | Bm13 | 60 | 40 | 30 | 26,5 | 40 |
| | 40T10/19-2 | AF | 19 | 60,48 | 58,63 | Bm15 | 66 | 44 | 30 | 26,5 | 40 |
| | 40T10/20-2 | AF | 20 | 63,66 | 61,81 | Bm15 | 66 | 46 | 30 | 26,5 | 40 |
| | 40T10/22-2 | AF | 22 | 70,03 | 68,18 | Bm17 | 75 | 52 | 30 | 26,5 | 40 |
| | 40T10/24-2 | AF | 24 | 76,39 | 74,55 | Bm19 | 83 | 58 | 30 | 26,5 | 40 |
| | 40T10/25-2 | AF | 25 | 79,58 | 77,73 | Bm19 | 83 | 60 | 30 | 26,5 | 40 |
| | 40T10/26-2 | AF | 26 | 82,76 | 80,91 | Bm20 | 87 | 60 | 30 | 26,5 | 40 |
| 40T10/27-2 | AF | 27 | 85,94 | 84,10 | Bm21 | 91 | 60 | 30 | 26,5 | 40 | |
| 40T10/28-2 | AF | 28 | 89,13 | 87,28 | Bm22 | 93 | 60 | 30 | 26,5 | 40 | |
| 40T10/30-2 | AF | 30 | 95,49 | 93,65 | Bm23 | 97 | 60 | 30 | 26,5 | 40 | |
| 40T10/32-2 | AF | 32 | 101,86 | 100,01 | Bm25 | 106 | 65 | 30 | 26,5 | 40 | |
| 40T10/36-2 | AF | 36 | 114,59 | 112,74 | Bm28 | 119 | 70 | 30 | 26,5 | 40 | |
| 40T10/40-2 | AF | 40 | 127,32 | 125,48 | Bm31 | 131 | 80 | 30 | 26,5 | 40 | |
| 40T10/44-0 | A | 44 | 140,06 | 138,21 | - | - | 88 | 30 | - | 40 | |
| 40T10/48-0 | A | 48 | 152,79 | 150,94 | - | - | 95 | 30 | - | 40 | |
| 40T10/60-0 | A | 60 | 190,99 | 189,14 | - | - | 110 | 30 | - | 40 | |

T10 32 (passo 10 mm) per cinghia di larghezza 32 mm
T10 32 (10 mm pitch) for 32 mm width belt

| Alluminio / Aluminium | Codice Code | Disegno Drawing | N° Denti Teeth | Dp | De | Flangia 1,0 Flange 1,0 | Df | Dm | B1 | B2 | L |
|-----------------------|-------------|-----------------|----------------|--------|--------|------------------------|-----|----|------|------|----|
| | 47T10/18-2 | AF | 18 | 57,30 | 55,45 | Bm13 | 60 | 40 | 37 | 33,5 | 47 |
| | 47T10/19-2 | AF | 19 | 60,48 | 58,63 | Bm15 | 66 | 44 | 37 | 33,5 | 47 |
| | 47T10/20-2 | AF | 20 | 63,66 | 61,81 | Bm15 | 66 | 46 | 37 | 33,5 | 47 |
| | 47T10/22-2 | AF | 22 | 70,03 | 68,18 | Bm17 | 75 | 52 | 37 | 33,5 | 47 |
| | 47T10/24-2 | AF | 24 | 76,39 | 74,55 | Bm19 | 83 | 58 | 37 | 33,5 | 47 |
| | 47T10/25-2 | AF | 25 | 79,58 | 77,73 | Bm19 | 83 | 60 | 37 | 33,5 | 47 |
| | 47T10/26-2 | AF | 26 | 82,76 | 80,91 | Bm20 | 87 | 60 | 37 | 33,5 | 47 |
| | 47T10/27-2 | AF | 27 | 85,94 | 84,10 | Bm21 | 91 | 60 | 37 | 33,5 | 47 |
| | 47T10/28-2 | AF | 28 | 89,13 | 87,28 | Bm22 | 93 | 60 | 37 | 33,5 | 47 |
| | 47T10/30-2 | AF | 30 | 95,49 | 93,65 | Bm23 | 97 | 60 | 37 | 33,5 | 47 |
| | 47T10/32-2 | AF | 32 | 101,86 | 100,01 | Bm25 | 106 | 65 | 37 | 33,5 | 47 |
| 47T10/36-2 | AF | 36 | 114,59 | 112,74 | Bm28 | 119 | 70 | 37 | 33,5 | 47 | |
| 47T10/40-2 | AF | 40 | 127,32 | 125,48 | Bm31 | 131 | 80 | 37 | 33,5 | 47 | |
| 47T10/44-0 | A | 44 | 140,06 | 138,21 | - | - | 88 | 37 | - | 47 | |
| 47T10/48-0 | A | 48 | 152,79 | 150,94 | - | - | 95 | 37 | - | 47 | |
| 47T10/60-0 | A | 60 | 190,99 | 189,14 | - | - | 110 | 37 | - | 47 | |

"Df e Dm possono variare senza preavviso"

"Nelle forme costruttive gli scarichi di alleggerimento possono leggermente variare"



T10 50 (passo 10 mm) per cinghia di larghezza 50 mm
T10 50 (10 mm pitch) for 50 mm width belt

| Alluminio / Aluminium | Codice Code | Disegno Drawing | N° Denti Teeth | Dp | De | Flangia 1,0 Flange 1,0 | Df | Dm | B1 | B2 | L |
|-----------------------|-------------|-----------------|----------------|--------|--------|------------------------|-----|----|----|------|----|
| | 66T10/18-2 | AF | 18 | 57,30 | 55,45 | Bm13 | 60 | 40 | 56 | 52,5 | 66 |
| | 66T10/19-2 | AF | 19 | 60,48 | 58,63 | Bm15 | 66 | 44 | 56 | 52,5 | 66 |
| | 66T10/20-2 | AF | 20 | 63,66 | 61,81 | Bm15 | 66 | 46 | 56 | 52,5 | 66 |
| | 66T10/22-2 | AF | 22 | 70,03 | 68,18 | Bm17 | 75 | 52 | 56 | 52,5 | 66 |
| | 66T10/24-2 | AF | 24 | 76,39 | 74,55 | Bm19 | 83 | 58 | 56 | 52,5 | 66 |
| | 66T10/25-2 | AF | 25 | 79,58 | 77,73 | Bm19 | 83 | 60 | 56 | 52,5 | 66 |
| | 66T10/26-2 | AF | 26 | 82,76 | 80,91 | Bm20 | 87 | 60 | 56 | 52,5 | 66 |
| | 66T10/27-2 | AF | 27 | 85,94 | 84,10 | Bm21 | 91 | 60 | 56 | 52,5 | 66 |
| | 66T10/28-2 | AF | 28 | 89,13 | 87,28 | Bm22 | 93 | 60 | 56 | 52,5 | 66 |
| | 66T10/30-2 | AF | 30 | 95,49 | 93,65 | Bm23 | 97 | 60 | 56 | 52,5 | 66 |
| | 66T10/32-2 | AF | 32 | 101,86 | 100,01 | Bm25 | 106 | 65 | 56 | 52,5 | 66 |
| | 66T10/36-2 | AF | 36 | 114,59 | 112,74 | Bm28 | 119 | 70 | 56 | 52,5 | 66 |
| | 66T10/40-2 | AF | 40 | 127,32 | 125,48 | Bm31 | 131 | 80 | 56 | 52,5 | 66 |
| | 66T10/44-0 | A | 44 | 140,06 | 138,21 | - | - | 88 | 56 | - | 66 |
| 66T10/48-0 | A | 48 | 152,79 | 150,94 | - | - | 95 | 56 | - | 66 | |
| 66T10/60-0 | A | 60 | 190,99 | 189,14 | - | - | 110 | 56 | - | 66 | |

T20 32 (passo 20 mm) per cinghia di larghezza 32 mm
T20 32 (20 mm pitch) for 32 mm width belt

| Alluminio / Aluminium | Codice Code | Disegno Drawing | N° Denti Teeth | Dp | De | Flangia 1,5 Flange 1,5 | Df | Dm | B1 | B2 | L |
|-----------------------|-------------|-----------------|----------------|--------|--------|------------------------|-----|-----|----|----|----|
| | 53T20/18-2 | AF | 18 | 114,59 | 111,73 | Bm92 | 119 | 80 | 42 | 37 | 53 |
| | 53T20/20-2 | AF | 20 | 127,32 | 124,47 | Bm43 | 138 | 90 | 42 | 37 | 53 |
| | 53T20/22-2 | AF | 22 | 140,06 | 137,20 | Bm45 | 145 | 90 | 42 | 37 | 53 |
| | 53T20/24-2 | AF | 24 | 152,79 | 149,93 | Bm47 | 162 | 95 | 42 | 37 | 53 |
| | 53T20/25-2 | AF | 25 | 159,15 | 156,30 | Bm48 | 168 | 95 | 42 | 37 | 53 |
| | 53T20/30-2 | AF | 30 | 190,99 | 188,13 | Bm52 | 200 | 110 | 42 | 37 | 53 |
| | 53T20/32-0 | A | 32 | 203,72 | 200,86 | - | - | 110 | 42 | - | 53 |
| | 53T20/36-0 | A | 36 | 229,18 | 226,33 | - | - | 110 | 42 | - | 53 |
| | 53T20/40-0 | A | 40 | 254,65 | 251,80 | - | - | 110 | 42 | - | 53 |
| | 53T20/48-0 | A | 48 | 305,58 | 302,73 | - | - | 130 | 42 | - | 53 |
| | 53T20/60-0 | A | 60 | 381,97 | 379,12 | - | - | 130 | 42 | - | 53 |

T20 50 (passo 20 mm) per cinghia di larghezza 50 mm
T20 50 (20 mm pitch) for 50 mm width belt

| Alluminio / Aluminium | Codice Code | Disegno Drawing | N° Denti Teeth | Dp | De | Flangia 1,5 Flange 1,5 | Df | Dm | B1 | B2 | L |
|-----------------------|-------------|-----------------|----------------|--------|--------|------------------------|-----|-----|----|----|----|
| | 71T20/18-2 | AF | 18 | 114,59 | 111,73 | Bm92 | 119 | 80 | 60 | 55 | 71 |
| | 71T20/20-2 | AF | 20 | 127,32 | 124,47 | Bm43 | 138 | 90 | 60 | 55 | 71 |
| | 71T20/22-2 | AF | 22 | 140,06 | 137,20 | Bm45 | 145 | 90 | 60 | 55 | 71 |
| | 71T20/24-2 | AF | 24 | 152,79 | 149,93 | Bm47 | 162 | 95 | 60 | 55 | 71 |
| | 71T20/25-2 | AF | 25 | 159,15 | 156,30 | Bm48 | 168 | 95 | 60 | 55 | 71 |
| | 71T20/30-2 | AF | 30 | 190,99 | 188,13 | Bm52 | 200 | 110 | 60 | 55 | 71 |
| | 71T20/32-0 | A | 32 | 203,72 | 200,86 | - | - | 110 | 60 | - | 71 |
| | 71T20/36-0 | A | 36 | 229,18 | 226,33 | - | - | 110 | 60 | - | 71 |
| | 71T20/40-0 | A | 40 | 254,65 | 251,80 | - | - | 110 | 60 | - | 71 |
| | 71T20/48-0 | A | 48 | 305,58 | 302,73 | - | - | 130 | 60 | - | 71 |
| | 71T20/60-0 | A | 60 | 381,97 | 379,12 | - | - | 130 | 60 | - | 71 |

"Df e Dm possono variare senza preavviso"

"Nelle forme costruttive gli scarichi di alleggerimento possono leggermente variare"

| T20 75 (passo 20 mm) per cinghia di larghezza 75 mm T20 75 (20 mm pitch) for 75 mm width belt | | | | | | | | | | | |
|--|-------------|-----------------|----------------|--------|--------|------------------------|-----|-----|----|-----|-----|
| Alluminio / Aluminium | Codice Code | Disegno Drawing | N° Denti Teeth | Dp | De | Flangia 1,5 Flange 1,5 | Df | Dm | B1 | B2 | L |
| | 106T20/18-2 | AF | 18 | 114,59 | 111,73 | Bm92 | 119 | 80 | 85 | 80 | 106 |
| | 106T20/20-2 | AF | 20 | 127,32 | 124,47 | Bm43 | 138 | 90 | 85 | 80 | 106 |
| | 106T20/22-2 | AF | 22 | 140,06 | 137,20 | Bm45 | 145 | 90 | 85 | 80 | 106 |
| | 106T20/24-2 | AF | 24 | 152,79 | 149,93 | Bm47 | 162 | 95 | 85 | 80 | 106 |
| | 106T20/25-2 | AF | 25 | 159,15 | 156,30 | Bm48 | 168 | 95 | 85 | 80 | 106 |
| | 106T20/30-2 | AF | 30 | 190,99 | 188,13 | Bm52 | 200 | 110 | 85 | 80 | 106 |
| | 106T20/32-0 | A | 32 | 203,72 | 200,86 | - | - | 110 | 85 | - | 106 |
| | 106T20/36-0 | A | 36 | 229,18 | 226,33 | - | - | 110 | 85 | - | 106 |
| | 106T20/40-0 | A | 40 | 254,65 | 251,80 | - | - | 110 | 85 | - | 106 |
| | 106T20/48-0 | A | 48 | 305,58 | 302,73 | - | - | 130 | 85 | - | 106 |
| 106T20/60-0 | A | 60 | 381,97 | 379,12 | - | - | 130 | 85 | - | 106 | |

| T20 100 (passo 20 mm) per cinghia di larghezza 100 mm T20 100 (20 mm pitch) for 100 mm width belt | | | | | | | | | | | |
|--|-------------|-----------------|----------------|--------|--------|------------------------|-----|-----|-----|-----|-----|
| Alluminio / Aluminium | Codice Code | Disegno Drawing | N° Denti Teeth | Dp | De | Flangia 1,5 Flange 1,5 | Df | Dm | B1 | B2 | L |
| | 123T20/18-2 | AF | 18 | 114,59 | 111,73 | Bm92 | 119 | 80 | 110 | 105 | 123 |
| | 123T20/20-2 | AF | 20 | 127,32 | 124,47 | Bm43 | 138 | 90 | 110 | 105 | 123 |
| | 123T20/22-2 | AF | 22 | 140,06 | 137,20 | Bm45 | 145 | 90 | 110 | 105 | 123 |
| | 123T20/24-2 | AF | 24 | 152,79 | 149,93 | Bm47 | 162 | 95 | 110 | 105 | 123 |
| | 123T20/25-2 | AF | 25 | 159,15 | 156,30 | Bm48 | 168 | 95 | 110 | 105 | 123 |
| | 123T20/30-2 | AF | 30 | 190,99 | 188,13 | Bm52 | 200 | 110 | 110 | 105 | 123 |
| | 123T20/32-0 | A | 32 | 203,72 | 200,86 | - | - | 110 | 110 | - | 123 |
| | 123T20/36-0 | A | 36 | 229,18 | 226,33 | - | - | 110 | 110 | - | 123 |
| | 123T20/40-0 | A | 40 | 254,65 | 251,80 | - | - | 110 | 110 | - | 123 |
| | 123T20/48-0 | A | 48 | 305,58 | 302,73 | - | - | 130 | 110 | - | 123 |
| 123T20/60-0 | A | 60 | 381,97 | 379,12 | - | - | 130 | 110 | - | 123 | |

"Df e Dm possono variare senza preavviso"

"Nelle forme costruttive gli scarichi di alleggerimento possono leggermente variare"



| AT 5 10 (passo 5 mm) per cinghia di larghezza 10 mm AT5 10 (5 mm pitch) for 10 mm width belt | | | | | | | | | | | |
|---|----------------|--------------------|-------------------|-------|-------|--------------------------|----|----|------|------|----|
| Alluminio / Aluminium | Code Codice | Drawing Disegno | Teeth N° Denti | Dp | De | Flange 1,0 Flange 1,0 | Df | Dm | B1 | B2 | L |
| | 21AT5/12-2 | AF | 12 | 19,10 | 17,87 | Bm1 | 22 | 11 | 15 | 11,5 | 21 |
| | 21AT5/14-2 | AF | 14 | 22,28 | 21,05 | Bm2 | 25 | 14 | 15 | 11,5 | 21 |
| | 21AT5/15-2 | AF | 15 | 23,87 | 22,64 | Bm3 | 28 | 16 | 15 | 11,5 | 21 |
| | 21AT5/16-2 | AF | 16 | 25,46 | 24,24 | Bm4 | 32 | 18 | 15 | 11,5 | 21 |
| | 21AT5/18-2 | AF | 18 | 28,65 | 27,42 | Bm4 | 32 | 20 | 15 | 11,5 | 21 |
| | 21AT5/19-2 | AF | 19 | 30,24 | 29,01 | Bm5 | 36 | 22 | 15 | 11,5 | 21 |
| | 21AT5/20-2 | AF | 20 | 31,83 | 30,60 | Bm5 | 36 | 23 | 15 | 11,5 | 21 |
| | 21AT5/22-2 | AF | 22 | 35,01 | 33,79 | Bm6 | 38 | 24 | 15 | 11,5 | 21 |
| | 21AT5/24-2 | AF | 24 | 38,20 | 36,97 | Bm7 | 41 | 26 | 15 | 11,5 | 21 |
| | 21AT5/25-2 | AF | 25 | 39,79 | 38,56 | Bm8 | 47 | 26 | 15 | 11,5 | 21 |
| | 21AT5/26-2 | AF | 26 | 41,38 | 40,15 | Bm8 | 47 | 26 | 15 | 11,5 | 21 |
| | 21AT5/27-2 | AF | 27 | 42,97 | 41,74 | Bm9 | 48 | 30 | 15 | 11,5 | 21 |
| | 21AT5/28-2 | AF | 28 | 44,56 | 43,33 | Bm9 | 48 | 32 | 15 | 11,5 | 21 |
| | 21AT5/30-2 | AF | 30 | 47,75 | 46,52 | Bm10 | 51 | 34 | 15 | 11,5 | 21 |
| | 21AT5/32-2 | AF | 32 | 50,93 | 49,70 | Bm11 | 54 | 38 | 15 | 11,5 | 21 |
| | 21AT5/36-2 | AF | 36 | 57,30 | 56,07 | Bm14 | 63 | 38 | 15 | 11,5 | 21 |
| 21AT5/40-2 | AF | 40 | 63,66 | 62,43 | Bm15 | 66 | 40 | 15 | 11,5 | 21 | |
| 21AT5/42-2 | AF | 42 | 66,85 | 65,62 | Bm16 | 72 | 40 | 15 | 11,5 | 21 | |
| 21AT5/44-0 | A | 44 | 70,03 | 68,80 | - | - | 45 | 15 | - | 21 | |
| 21AT5/48-0 | A | 48 | 76,39 | 75,17 | - | - | 50 | 15 | - | 21 | |
| 21AT5/60-0 | A | 60 | 95,49 | 94,27 | - | - | 65 | 15 | - | 21 | |

| AT 5 16 (passo 5 mm) per cinghia di larghezza 16 mm AT5 16 (5 mm pitch) for 16 mm width belt | | | | | | | | | | | |
|---|----------------|--------------------|-------------------|-------|-------|--------------------------|----|----|------|------|----|
| Alluminio / Aluminium | Code Codice | Drawing Disegno | Teeth N° Denti | Dp | De | Flange 1,0 Flange 1,0 | Df | Dm | B1 | B2 | L |
| | 27AT5/12-2 | AF | 12 | 19,10 | 17,87 | Bm1 | 22 | 11 | 21 | 17,5 | 27 |
| | 27AT5/14-2 | AF | 14 | 22,28 | 21,05 | Bm2 | 25 | 14 | 21 | 17,5 | 27 |
| | 27AT5/15-2 | AF | 15 | 23,87 | 22,64 | Bm3 | 28 | 16 | 21 | 17,5 | 27 |
| | 27AT5/16-2 | AF | 16 | 25,46 | 24,24 | Bm4 | 32 | 18 | 21 | 17,5 | 27 |
| | 27AT5/18-2 | AF | 18 | 28,65 | 27,42 | Bm4 | 32 | 20 | 21 | 17,5 | 27 |
| | 27AT5/19-2 | AF | 19 | 30,24 | 29,01 | Bm5 | 36 | 22 | 21 | 17,5 | 27 |
| | 27AT5/20-2 | AF | 20 | 31,83 | 30,60 | Bm5 | 36 | 23 | 21 | 17,5 | 27 |
| | 27AT5/22-2 | AF | 22 | 35,01 | 33,79 | Bm6 | 38 | 24 | 21 | 17,5 | 27 |
| | 27AT5/24-2 | AF | 24 | 38,20 | 36,97 | Bm7 | 41 | 26 | 21 | 17,5 | 27 |
| | 27AT5/25-2 | AF | 25 | 39,79 | 38,56 | Bm8 | 47 | 26 | 21 | 17,5 | 27 |
| | 27AT5/26-2 | AF | 26 | 41,38 | 40,15 | Bm8 | 47 | 26 | 21 | 17,5 | 27 |
| | 27AT5/27-2 | AF | 27 | 42,97 | 41,74 | Bm9 | 48 | 30 | 21 | 17,5 | 27 |
| | 27AT5/28-2 | AF | 28 | 44,56 | 43,33 | Bm9 | 48 | 32 | 21 | 17,5 | 27 |
| | 27AT5/30-2 | AF | 30 | 47,75 | 46,52 | Bm10 | 51 | 34 | 21 | 17,5 | 27 |
| | 27AT5/32-2 | AF | 32 | 50,93 | 49,70 | Bm11 | 54 | 38 | 21 | 17,5 | 27 |
| | 27AT5/36-2 | AF | 36 | 57,30 | 56,07 | Bm14 | 63 | 38 | 21 | 17,5 | 27 |
| 27AT5/40-2 | AF | 40 | 63,66 | 62,43 | Bm15 | 66 | 40 | 21 | 17,5 | 27 | |
| 27AT5/42-2 | AF | 42 | 66,85 | 65,62 | Bm16 | 72 | 40 | 21 | 17,5 | 27 | |
| 27AT5/44-0 | A | 44 | 70,03 | 68,80 | - | - | 45 | 21 | - | 27 | |
| 27AT5/48-0 | A | 48 | 76,39 | 75,17 | - | - | 50 | 21 | - | 27 | |
| 27AT5/60-0 | A | 60 | 95,49 | 94,27 | - | - | 65 | 21 | - | 27 | |

"Df e Dm possono variare senza preavviso"

"Nelle forme costruttive gli scarichi di alleggerimento possono leggermente variare"

AT 5 25 (passo 5 mm) per cinghia di larghezza 25 mm
AT5 25 (5 mm pitch) for 25 mm width belt

| Alluminio / Aluminium | Codice Code | Disegno Drawing | N° Denti Teeth | Dp | De | Flangia 1,0 Flange 1,0 | Df | Dm | B1 | B2 | L |
|-----------------------|-------------|-----------------|----------------|-------|-------|------------------------|----|----|------|------|----|
| | 36AT5/12-2 | AF | 12 | 19,10 | 17,87 | Bm1 | 22 | 11 | 30 | 26,5 | 36 |
| | 36AT5/14-2 | AF | 14 | 22,28 | 21,05 | Bm2 | 25 | 14 | 30 | 26,5 | 36 |
| | 36AT5/15-2 | AF | 15 | 23,87 | 22,64 | Bm3 | 28 | 16 | 30 | 26,5 | 36 |
| | 36AT5/16-2 | AF | 16 | 25,46 | 24,24 | Bm4 | 32 | 18 | 30 | 26,5 | 36 |
| | 36AT5/18-2 | AF | 18 | 28,65 | 27,42 | Bm4 | 32 | 20 | 30 | 26,5 | 36 |
| | 36AT5/19-2 | AF | 19 | 30,24 | 29,01 | Bm5 | 36 | 22 | 30 | 26,5 | 36 |
| | 36AT5/20-2 | AF | 20 | 31,83 | 30,60 | Bm5 | 36 | 23 | 30 | 26,5 | 36 |
| | 36AT5/22-2 | AF | 22 | 35,01 | 33,79 | Bm6 | 38 | 24 | 30 | 26,5 | 36 |
| | 36AT5/24-2 | AF | 24 | 38,20 | 36,97 | Bm7 | 41 | 26 | 30 | 26,5 | 36 |
| | 36AT5/25-2 | AF | 25 | 39,79 | 38,56 | Bm8 | 47 | 26 | 30 | 26,5 | 36 |
| | 36AT5/26-2 | AF | 26 | 41,38 | 40,15 | Bm8 | 47 | 26 | 30 | 26,5 | 36 |
| | 36AT5/27-2 | AF | 27 | 42,97 | 41,74 | Bm9 | 48 | 30 | 30 | 26,5 | 36 |
| 36AT5/28-2 | AF | 28 | 44,56 | 43,33 | Bm9 | 48 | 32 | 30 | 26,5 | 36 | |
| 36AT5/30-2 | AF | 30 | 47,75 | 46,52 | Bm10 | 51 | 34 | 30 | 26,5 | 36 | |
| 36AT5/32-2 | AF | 32 | 50,93 | 49,70 | Bm11 | 54 | 38 | 30 | 26,5 | 36 | |
| 36AT5/36-2 | AF | 36 | 57,30 | 56,07 | Bm14 | 63 | 38 | 30 | 26,5 | 36 | |
| 36AT5/40-2 | AF | 40 | 63,66 | 62,43 | Bm15 | 66 | 40 | 30 | 26,5 | 36 | |
| 36AT5/42-2 | AF | 42 | 66,85 | 65,62 | Bm16 | 72 | 40 | 30 | 26,5 | 36 | |
| 36AT5/44-0 | A | 44 | 70,03 | 68,80 | - | - | 45 | 30 | - | 36 | |
| 36AT5/48-0 | A | 48 | 76,39 | 75,17 | - | - | 50 | 30 | - | 36 | |
| 36AT5/60-0 | A | 60 | 95,49 | 94,27 | - | - | 65 | 30 | - | 36 | |

AT 10 16 (passo 10 mm) per cinghia di larghezza 16 mm
AT10 16 (10 mm pitch) for 16 mm width belt

| Alluminio / Aluminium | Codice Code | Disegno Drawing | N° Denti Teeth | Dp | De | Flangia 1,0 Flange 1,0 | Df | Dm | B1 | B2 | L |
|-----------------------|-------------|-----------------|----------------|--------|--------|------------------------|-----|----|----|------|----|
| | 31AT10/15-2 | AF | 15 | 47,75 | 45,90 | Bm10 | 51 | 32 | 21 | 17,5 | 31 |
| | 31AT10/16-2 | AF | 16 | 50,93 | 49,08 | Bm11 | 54 | 35 | 21 | 17,5 | 31 |
| | 31AT10/18-2 | AF | 18 | 57,30 | 55,45 | Bm13 | 60 | 40 | 21 | 17,5 | 31 |
| | 31AT10/19-2 | AF | 19 | 60,48 | 58,63 | Bm15 | 66 | 44 | 21 | 17,5 | 31 |
| | 31AT10/20-2 | AF | 20 | 63,66 | 61,81 | Bm15 | 66 | 46 | 21 | 17,5 | 31 |
| | 31AT10/22-2 | AF | 22 | 70,03 | 68,18 | Bm17 | 75 | 52 | 21 | 17,5 | 31 |
| | 31AT10/24-2 | AF | 24 | 76,39 | 74,55 | Bm19 | 83 | 58 | 21 | 17,5 | 31 |
| | 31AT10/25-2 | AF | 25 | 79,58 | 77,73 | Bm19 | 83 | 60 | 21 | 17,5 | 31 |
| | 31AT10/26-2 | AF | 26 | 82,76 | 80,91 | Bm20 | 87 | 60 | 21 | 17,5 | 31 |
| | 31AT10/27-2 | AF | 27 | 85,94 | 84,10 | Bm21 | 91 | 60 | 21 | 17,5 | 31 |
| | 31AT10/28-2 | AF | 28 | 89,13 | 87,28 | Bm22 | 93 | 60 | 21 | 17,5 | 31 |
| | 31AT10/30-2 | AF | 30 | 95,49 | 93,65 | Bm23 | 97 | 60 | 21 | 17,5 | 31 |
| | 31AT10/32-2 | AF | 32 | 101,86 | 100,01 | Bm25 | 106 | 65 | 21 | 17,5 | 31 |
| | 31AT10/36-2 | AF | 36 | 114,59 | 112,74 | Bm28 | 119 | 70 | 21 | 17,5 | 31 |
| | 31AT10/40-2 | AF | 40 | 127,32 | 125,48 | Bm31 | 131 | 80 | 21 | 17,5 | 31 |
| | 31AT10/44-0 | A | 44 | 140,06 | 138,21 | - | - | 88 | 21 | - | 31 |
| 31AT10/48-0 | A | 48 | 152,79 | 150,94 | - | - | 95 | 21 | - | 31 | |
| 31AT10/60-0 | A | 60 | 190,99 | 189,14 | - | - | 110 | 21 | - | 31 | |

AT 10 25 (passo 10 mm) per cinghia di larghezza 25 mm
AT10 25 (10 mm pitch) for 25 mm width belt

| Alluminio / Aluminium | Codice Code | Disegno Drawing | N° Denti Teeth | Dp | De | Flangia 1,0 Flange 1,0 | Df | Dm | B1 | B2 | L |
|-----------------------|-------------|-----------------|----------------|--------|--------|------------------------|-----|----|----|------|----|
| | 40AT10/15-2 | AF | 15 | 47,75 | 45,90 | Bm10 | 51 | 32 | 30 | 26,5 | 40 |
| | 40AT10/16-2 | AF | 16 | 50,93 | 49,08 | Bm11 | 54 | 35 | 30 | 26,5 | 40 |
| | 40AT10/18-2 | AF | 18 | 57,30 | 55,45 | Bm13 | 60 | 40 | 30 | 26,5 | 40 |
| | 40AT10/19-2 | AF | 19 | 60,48 | 58,63 | Bm15 | 66 | 44 | 30 | 26,5 | 40 |
| | 40AT10/20-2 | AF | 20 | 63,66 | 61,81 | Bm15 | 66 | 46 | 30 | 26,5 | 40 |
| | 40AT10/22-2 | AF | 22 | 70,03 | 68,18 | Bm17 | 75 | 52 | 30 | 26,5 | 40 |
| | 40AT10/24-2 | AF | 24 | 76,39 | 74,55 | Bm19 | 83 | 58 | 30 | 26,5 | 40 |
| | 40AT10/25-2 | AF | 25 | 79,58 | 77,73 | Bm19 | 83 | 60 | 30 | 26,5 | 40 |
| | 40AT10/26-2 | AF | 26 | 82,76 | 80,91 | Bm20 | 87 | 60 | 30 | 26,5 | 40 |
| | 40AT10/27-2 | AF | 27 | 85,94 | 84,10 | Bm21 | 91 | 60 | 30 | 26,5 | 40 |
| | 40AT10/28-2 | AF | 28 | 89,13 | 87,28 | Bm22 | 93 | 60 | 30 | 26,5 | 40 |
| | 40AT10/30-2 | AF | 30 | 95,49 | 93,65 | Bm23 | 97 | 60 | 30 | 26,5 | 40 |
| | 40AT10/32-2 | AF | 32 | 101,86 | 100,01 | Bm25 | 106 | 65 | 30 | 26,5 | 40 |
| | 40AT10/36-2 | AF | 36 | 114,59 | 112,74 | Bm28 | 119 | 70 | 30 | 26,5 | 40 |
| | 40AT10/40-2 | AF | 40 | 127,32 | 125,48 | Bm31 | 131 | 80 | 30 | 26,5 | 40 |
| | 40AT10/44-0 | A | 44 | 140,06 | 138,21 | - | - | 88 | 30 | - | 40 |
| 40AT10/48-0 | A | 48 | 152,79 | 150,94 | - | - | 95 | 30 | - | 40 | |
| 40AT10/60-0 | A | 60 | 190,99 | 189,14 | - | - | 110 | 30 | - | 40 | |

"Df e Dm possono variare senza preavviso"

"Nelle forme costruttive gli scarichi di alleggerimento possono leggermente variare"



AT 10 32 (passo 10 mm) per cinghia di larghezza 32 mm AT10 32 (10 mm pitch) for 32 mm width belt

| Alluminio / Aluminium | Codice Code | Disegno Drawing | N° Denti Teeth | Dp | De | Flangia 1,0 Flange 1,0 | Df | Dm | B1 | B2 | L |
|-----------------------|-------------|-----------------|----------------|--------|--------|------------------------|-----|----|----|------|----|
| | 47AT10/18-2 | AF | 18 | 57,30 | 55,45 | Bm13 | 60 | 40 | 37 | 33,5 | 47 |
| | 47AT10/19-2 | AF | 19 | 60,48 | 58,63 | Bm15 | 66 | 44 | 37 | 33,5 | 47 |
| | 47AT10/20-2 | AF | 20 | 63,66 | 61,81 | Bm15 | 66 | 46 | 37 | 33,5 | 47 |
| | 47AT10/22-2 | AF | 22 | 70,03 | 68,18 | Bm17 | 75 | 52 | 37 | 33,5 | 47 |
| | 47AT10/24-2 | AF | 24 | 76,39 | 74,55 | Bm19 | 83 | 58 | 37 | 33,5 | 47 |
| | 47AT10/25-2 | AF | 25 | 79,58 | 77,73 | Bm19 | 83 | 60 | 37 | 33,5 | 47 |
| | 47AT10/26-2 | AF | 26 | 82,76 | 80,91 | Bm20 | 87 | 60 | 37 | 33,5 | 47 |
| | 47AT10/27-2 | AF | 27 | 85,94 | 84,10 | Bm21 | 91 | 60 | 37 | 33,5 | 47 |
| | 47AT10/28-2 | AF | 28 | 89,13 | 87,28 | Bm22 | 93 | 60 | 37 | 33,5 | 47 |
| | 47AT10/30-2 | AF | 30 | 95,49 | 93,65 | Bm23 | 97 | 60 | 37 | 33,5 | 47 |
| | 47AT10/32-2 | AF | 32 | 101,86 | 100,01 | Bm25 | 106 | 65 | 37 | 33,5 | 47 |
| | 47AT10/36-2 | AF | 36 | 114,59 | 112,74 | Bm28 | 119 | 70 | 37 | 33,5 | 47 |
| | 47AT10/40-2 | AF | 40 | 127,32 | 125,48 | Bm31 | 131 | 80 | 37 | 33,5 | 47 |
| | 47AT10/44-0 | A | 44 | 140,06 | 138,21 | - | - | 88 | 37 | - | 47 |
| 47AT10/48-0 | A | 48 | 152,79 | 150,94 | - | - | 95 | 37 | - | 47 | |
| 47AT10/60-0 | A | 60 | 190,99 | 189,14 | - | - | 110 | 37 | - | 47 | |

AT 10 50 (passo 10 mm) per cinghia di larghezza 50 mm AT10 50 (10 mm pitch) for 50 mm width belt

| Alluminio / Aluminium | Codice Code | Disegno Drawing | N° Denti Teeth | Dp | De | Flangia 1,0 Flange 1,0 | Df | Dm | B1 | B2 | L |
|-----------------------|-------------|-----------------|----------------|--------|--------|------------------------|-----|----|----|----|----|
| | 66AT10/18-2 | AF | 18 | 57,30 | 55,45 | Bm13 | 60 | 40 | 56 | 52 | 66 |
| | 66AT10/19-2 | AF | 19 | 60,48 | 58,63 | Bm15 | 66 | 44 | 56 | 52 | 66 |
| | 66AT10/20-2 | AF | 20 | 63,66 | 61,81 | Bm15 | 66 | 46 | 56 | 52 | 66 |
| | 66AT10/22-2 | AF | 22 | 70,03 | 68,18 | Bm17 | 75 | 52 | 56 | 52 | 66 |
| | 66AT10/24-2 | AF | 24 | 76,39 | 74,55 | Bm19 | 83 | 58 | 56 | 52 | 66 |
| | 66AT10/25-2 | AF | 25 | 79,58 | 77,73 | Bm19 | 83 | 60 | 56 | 52 | 66 |
| | 66AT10/26-2 | AF | 26 | 82,76 | 80,91 | Bm20 | 87 | 60 | 56 | 52 | 66 |
| | 66AT10/27-2 | AF | 27 | 85,94 | 84,10 | Bm21 | 91 | 60 | 56 | 52 | 66 |
| | 66AT10/28-2 | AF | 28 | 89,13 | 87,28 | Bm22 | 93 | 60 | 56 | 52 | 66 |
| | 66AT10/30-2 | AF | 30 | 95,49 | 93,65 | Bm23 | 97 | 60 | 56 | 52 | 66 |
| | 66AT10/32-2 | AF | 32 | 101,86 | 100,01 | Bm25 | 106 | 65 | 56 | 52 | 66 |
| | 66AT10/36-2 | AF | 36 | 114,59 | 112,74 | Bm28 | 119 | 70 | 56 | 52 | 66 |
| | 66AT10/40-2 | AF | 40 | 127,32 | 125,48 | Bm31 | 131 | 80 | 56 | 52 | 66 |
| | 66AT10/44-0 | A | 44 | 140,06 | 138,21 | - | - | 88 | 56 | - | 66 |
| 66AT10/48-0 | A | 48 | 152,79 | 150,94 | - | - | 95 | 56 | - | 66 | |
| 66AT10/60-0 | A | 60 | 190,99 | 189,14 | - | - | 110 | 56 | - | 66 | |

AT 20 32 (passo 20 mm) per cinghia di larghezza 32 mm AT20 32 (20 mm pitch) for 32 mm width belt

| Alluminio / Aluminium | Codice Code | Disegno Drawing | N° Denti Teeth | Dp | De | Flangia 1,5 Flange 1,5 | Df | Dm | B1 | B2 | L |
|-----------------------|-------------|-----------------|----------------|--------|--------|------------------------|-----|-----|----|----|----|
| | 53AT20/18-2 | AF | 18 | 114,59 | 111,73 | Bm92 | 119 | 80 | 42 | 37 | 53 |
| | 53AT20/20-2 | AF | 20 | 127,32 | 124,47 | Bm43 | 138 | 90 | 42 | 37 | 53 |
| | 53AT20/22-2 | AF | 22 | 140,06 | 137,20 | Bm45 | 145 | 90 | 42 | 37 | 53 |
| | 53AT20/24-2 | AF | 24 | 152,79 | 149,93 | Bm47 | 162 | 95 | 42 | 37 | 53 |
| | 53AT20/25-2 | AF | 25 | 159,15 | 156,30 | Bm48 | 168 | 95 | 42 | 37 | 53 |
| | 53AT20/30-2 | AF | 30 | 190,99 | 188,13 | Bm52 | 200 | 110 | 42 | 37 | 53 |
| | 53AT20/32-0 | A | 32 | 203,72 | 200,86 | - | - | 110 | 42 | - | 53 |
| | 53AT20/36-0 | A | 36 | 229,18 | 226,33 | - | - | 110 | 42 | - | 53 |
| | 53AT20/40-0 | A | 40 | 254,65 | 251,80 | - | - | 110 | 42 | - | 53 |
| | 53AT20/48-0 | A | 48 | 305,58 | 302,73 | - | - | 130 | 42 | - | 53 |
| | 53AT20/60-0 | A | 60 | 381,97 | 379,12 | - | - | 130 | 42 | - | 53 |

"Df e Dm possono variare senza preavviso"

"Nelle forme costruttive gli scarichi di alleggerimento possono leggermente variare"

AT 20 50 (passo 20 mm) per cinghia di larghezza 50 mm
AT20 50 (20 mm pitch) for 50 mm width belt

| Alluminio / Aluminium | Code Codice | Disegno Drawing | N° Denti Teeth | Dp | De | Flangia 1,5 Flange 1,5 | Df | Dm | B1 | B2 | L |
|-----------------------|----------------|--------------------|-------------------|--------|--------|---------------------------|-----|-----|----|----|----|
| | 71AT20/18-2 | AF | 18 | 114,59 | 111,73 | Bm92 | 119 | 80 | 60 | 55 | 71 |
| | 71AT20/20-2 | AF | 20 | 127,32 | 124,47 | Bm43 | 138 | 90 | 60 | 55 | 71 |
| | 71AT20/22-2 | AF | 22 | 140,06 | 137,20 | Bm45 | 145 | 90 | 60 | 55 | 71 |
| | 71AT20/24-2 | AF | 24 | 152,79 | 149,93 | Bm47 | 162 | 95 | 60 | 55 | 71 |
| | 71AT20/25-2 | AF | 25 | 159,15 | 156,30 | Bm48 | 168 | 95 | 60 | 55 | 71 |
| | 71AT20/30-2 | AF | 30 | 190,99 | 188,13 | Bm52 | 200 | 110 | 60 | 55 | 71 |
| | 71AT20/32-0 | A | 32 | 203,72 | 200,86 | - | - | 110 | 60 | - | 71 |
| | 71AT20/36-0 | A | 36 | 229,18 | 226,33 | - | - | 110 | 60 | - | 71 |
| | 71AT20/40-0 | A | 40 | 254,65 | 251,80 | - | - | 110 | 60 | - | 71 |
| | 71AT20/48-0 | A | 48 | 305,58 | 302,73 | - | - | 130 | 60 | - | 71 |
| | 71AT20/60-0 | A | 60 | 381,97 | 379,12 | - | - | 130 | 60 | - | 71 |

AT 20 75 (passo 20 mm) per cinghia di larghezza 75 mm
AT20 75 (20 mm pitch) for 75 mm width belt

| Alluminio / Aluminium | Code Codice | Disegno Drawing | N° Denti Teeth | Dp | De | Flangia 1,5 Flange 1,5 | Df | Dm | B1 | B2 | L |
|-----------------------|----------------|--------------------|-------------------|--------|--------|---------------------------|-----|-----|----|----|-----|
| | 106AT20/18-2 | AF | 18 | 114,59 | 111,73 | Bm92 | 119 | 80 | 85 | 80 | 106 |
| | 106AT20/20-2 | AF | 20 | 127,32 | 124,47 | Bm43 | 138 | 90 | 85 | 80 | 106 |
| | 106AT20/22-2 | AF | 22 | 140,06 | 137,20 | Bm45 | 145 | 90 | 85 | 80 | 106 |
| | 106AT20/24-2 | AF | 24 | 152,79 | 149,93 | Bm47 | 162 | 95 | 85 | 80 | 106 |
| | 106AT20/25-2 | AF | 25 | 159,15 | 156,30 | Bm48 | 168 | 95 | 85 | 80 | 106 |
| | 106AT20/30-2 | AF | 30 | 190,99 | 188,13 | Bm52 | 200 | 110 | 85 | 80 | 106 |
| | 106AT20/32-0 | A | 32 | 203,72 | 200,86 | - | - | 110 | 85 | - | 106 |
| | 106AT20/36-0 | A | 36 | 229,18 | 226,33 | - | - | 110 | 85 | - | 106 |
| | 106AT20/40-0 | A | 40 | 254,65 | 251,80 | - | - | 110 | 85 | - | 106 |
| | 106AT20/48-0 | A | 48 | 305,58 | 302,73 | - | - | 130 | 85 | - | 106 |
| | 106AT20/60-0 | A | 60 | 381,97 | 379,12 | - | - | 130 | 85 | - | 106 |

AT20 100 (passo 20 mm) per cinghia di larghezza 100 mm
AT20 100 (20 mm pitch) for 100 mm width belt

| Alluminio / Aluminium | Code Codice | Disegno Drawing | N° Denti Teeth | Dp | De | Flangia 1,5 Flange 1,5 | Df | Dm | B1 | B2 | L |
|-----------------------|----------------|--------------------|-------------------|--------|--------|---------------------------|-----|-----|-----|-----|-----|
| | 123AT20/18-2 | AF | 18 | 114,59 | 111,73 | Bm92 | 119 | 80 | 110 | 105 | 123 |
| | 123AT20/20-2 | AF | 20 | 127,32 | 124,47 | Bm43 | 138 | 90 | 110 | 105 | 123 |
| | 123AT20/22-2 | AF | 22 | 140,06 | 137,20 | Bm45 | 145 | 90 | 110 | 105 | 123 |
| | 123AT20/24-2 | AF | 24 | 152,79 | 149,93 | Bm47 | 162 | 95 | 110 | 105 | 123 |
| | 123AT20/25-2 | AF | 25 | 159,15 | 156,30 | Bm48 | 168 | 95 | 110 | 105 | 123 |
| | 123AT20/30-2 | AF | 30 | 190,99 | 188,13 | Bm52 | 200 | 110 | 110 | 105 | 123 |
| | 123AT20/32-0 | A | 32 | 203,72 | 200,86 | - | - | 110 | 110 | - | 123 |
| | 123AT20/36-0 | A | 36 | 229,18 | 226,33 | - | - | 110 | 110 | - | 123 |
| | 123AT20/40-0 | A | 40 | 254,65 | 251,80 | - | - | 110 | 110 | - | 123 |
| | 123AT20/48-0 | A | 48 | 305,58 | 302,73 | - | - | 130 | 110 | - | 123 |
| | 123AT20/60-0 | A | 60 | 381,97 | 379,12 | - | - | 130 | 110 | - | 123 |

"Df e Dm possono variare senza preavviso"

"Nelle forme costruttive gli scarichi di alleggerimento possono leggermente variare"



MXL 025 (passo 0,08" - 2,032mm) per cinghia di larghezza 0,25" - 6,35 mm
MXL 025 (0,08" pitch - 2,032mm) for 0,25" - 6,35mm width belt

| Alluminio / Aluminium | Codice Code | Disegno Drawing | N° Denti Teeth | Dp | De | Flangia 0,5 Flange 0,5 | Df | Dm | B1 | B2 | L |
|-----------------------|--------------|-----------------|----------------|-------|-------|------------------------|------|----|----|----|----|
| | 12 MXL 025 F | 1F | 12 | 7,76 | 7,25 | Bm73 | 12,0 | 12 | 9 | 8 | 16 |
| | 13 MXL 025 F | 1F | 13 | 8,41 | 7,90 | Bm73 | 12,0 | 12 | 9 | 8 | 16 |
| | 14 MXL 025 F | 1F | 14 | 9,06 | 8,55 | Bm73 | 12,0 | 13 | 9 | 8 | 16 |
| | 15 MXL 025 F | 1F | 15 | 9,70 | 9,19 | Bm73 | 12,0 | 14 | 9 | 8 | 16 |
| | 16 MXL 025 F | 1F | 16 | 10,35 | 9,84 | Bm74 | 15,0 | 14 | 9 | 8 | 16 |
| | 17 MXL 025 F | 1F | 17 | 11,00 | 10,49 | Bm74 | 15,0 | 15 | 9 | 8 | 16 |
| | 18 MXL 025 F | 1F | 18 | 11,64 | 11,13 | Bm74 | 15,0 | 15 | 9 | 8 | 16 |
| | 19 MXL 025 F | 1F | 19 | 12,29 | 11,78 | Bm75 | 16,0 | 16 | 9 | 8 | 16 |
| | 20 MXL 025 F | 1F | 20 | 12,94 | 12,43 | Bm75 | 16,0 | 16 | 9 | 8 | 16 |
| | 21 MXL 025 F | AF | 21 | 13,58 | 13,07 | Bm75 | 16,0 | 10 | 11 | 9 | 16 |
| | 22 MXL 025 F | AF | 22 | 14,23 | 13,72 | Bm75 | 16,0 | 10 | 11 | 9 | 16 |
| 24 MXL 025 F | AF | 24 | 15,52 | 15,01 | Bm0 | 19,5 | 11 | 11 | 9 | 16 | |
| 25 MXL 025 F | AF | 25 | 16,17 | 15,66 | Bm0 | 19,5 | 11 | 11 | 9 | 16 | |
| 28 MXL 025 F | AF | 28 | 18,11 | 17,60 | Bm1 | 23,0 | 11 | 11 | 9 | 16 | |
| 30 MXL 025 F | AF | 30 | 19,40 | 18,89 | Bm2 | 25,0 | 14 | 11 | 9 | 16 | |
| 32 MXL 025 F | AF | 32 | 20,70 | 20,19 | Bm2 | 25,0 | 14 | 11 | 9 | 16 | |
| 36 MXL 025 F | AF | 36 | 23,29 | 22,78 | Bm3 | 28,0 | 16 | 11 | 9 | 16 | |
| 40 MXL 025 F | AF | 40 | 25,87 | 25,36 | Bm4 | 32,0 | 18 | 11 | 9 | 16 | |
| 42 MXL 025 F | AF | 42 | 27,17 | 26,66 | Bm4 | 32,0 | 18 | 11 | 9 | 16 | |
| 44 MXL 025 F | AF | 44 | 28,46 | 27,95 | Bm4 | 32,0 | 18 | 11 | 9 | 16 | |
| 48 MXL 025 | A | 48 | 31,05 | 30,54 | - | - | 20 | 11 | - | 16 | |
| 60 MXL 025 | A | 60 | 38,81 | 38,3 | - | - | 24 | 11 | - | 16 | |
| 65 MXL 025 | A | 65 | 42,04 | 41,53 | - | - | 25 | 11 | - | 16 | |
| 72 MXL 025 | A | 72 | 46,57 | 46,06 | - | - | 25 | 11 | - | 16 | |

XL 037 (passo 1/5" - 5,08 mm) per cinghia di larghezza 0,37" - 9,53 mm
XL 037 (1/5" pitch - 5,08 mm) for 0,37" - 9,53 mm width belt

| Alluminio / Aluminium | Codice Code | Disegno Drawing | N° Denti Teeth | Dp | De | Flangia 1,0 Flange 1,0 | Df | Dm | B1 | B2 | L |
|-----------------------|-------------|-----------------|----------------|--------|-------|------------------------|----|------|------|------|----|
| | 10 XL 037 F | AF | 10 | 16,17 | 15,66 | Bm1 | 22 | 11,5 | 14,5 | 11,5 | 20 |
| | 11 XL 037 F | AF | 11 | 17,79 | 17,28 | Bm1 | 22 | 11,5 | 14,5 | 11,5 | 20 |
| | 12 XL 037 F | AF | 12 | 19,40 | 18,89 | Bm2 | 25 | 13,5 | 14,5 | 11,5 | 20 |
| | 13 XL 037 F | AF | 13 | 21,02 | 20,51 | Bm2 | 25 | 16 | 14,5 | 11,5 | 20 |
| | 14 XL 037 F | AF | 14 | 22,64 | 22,13 | Bm3 | 28 | 16 | 14,5 | 11,5 | 20 |
| | 15 XL 037 F | AF | 15 | 24,26 | 23,75 | Bm3 | 28 | 16 | 14,5 | 11,5 | 20 |
| | 16 XL 037 F | AF | 16 | 25,87 | 25,36 | Bm3 | 28 | 16 | 14,5 | 11,5 | 20 |
| | 17 XL 037 F | AF | 17 | 27,49 | 26,98 | Bm5 | 35 | 20 | 14,5 | 11,5 | 20 |
| | 18 XL 037 F | AF | 18 | 29,11 | 28,60 | Bm5 | 35 | 20 | 14,5 | 11,5 | 20 |
| | 19 XL 037 F | AF | 19 | 30,72 | 30,21 | Bm5 | 35 | 20 | 14,5 | 11,5 | 22 |
| | 20 XL 037 F | AF | 20 | 32,34 | 31,83 | Bm7 | 41 | 25 | 14,5 | 11,5 | 22 |
| | 21 XL 037 F | AF | 21 | 33,96 | 33,45 | Bm7 | 41 | 25 | 14,5 | 11,5 | 22 |
| | 22 XL 037 F | AF | 22 | 35,57 | 35,07 | Bm7 | 41 | 25 | 14,5 | 11,5 | 22 |
| | 24 XL 037 F | AF | 24 | 38,81 | 38,30 | Bm8 | 47 | 30 | 14,5 | 11,5 | 22 |
| | 26 XL 037 F | AF | 26 | 42,04 | 41,53 | Bm8 | 47 | 30 | 14,5 | 11,5 | 22 |
| | 27 XL 037 F | AF | 27 | 43,67 | 43,16 | Bm9 | 48 | 34 | 14,5 | 11,5 | 22 |
| | 28 XL 037 F | AF | 28 | 45,28 | 44,77 | Bm10 | 52 | 34 | 14,5 | 11,5 | 22 |
| | 29 XL 037 F | AF | 29 | 46,89 | 46,38 | Bm10 | 52 | 34 | 14,5 | 11,5 | 22 |
| | 30 XL 037 F | AF | 30 | 48,51 | 48,00 | Bm12 | 57 | 38 | 14,5 | 11,5 | 22 |
| | 32 XL 037 F | AF | 32 | 51,74 | 51,23 | Bm12 | 57 | 38 | 14,5 | 11,5 | 25 |
| | 34 XL 037 | A | 34 | 54,98 | 54,47 | - | - | 38 | 14,5 | - | 25 |
| | 35 XL 037 | A | 35 | 56,60 | 56,09 | - | - | 40 | 14,5 | - | 25 |
| | 36 XL 037 | A | 36 | 58,21 | 57,70 | - | - | 40 | 14,5 | - | 25 |
| | 38 XL 037 | A | 38 | 61,45 | 60,94 | - | - | 45 | 14,5 | - | 25 |
| | 39 XL 037 | A | 39 | 63,06 | 62,55 | - | - | 45 | 14,5 | - | 25 |
| | 40 XL 037 | A | 40 | 64,68 | 64,17 | - | - | 45 | 14,5 | - | 25 |
| | 41 XL 037 | A | 41 | 66,30 | 65,79 | - | - | 45 | 14,5 | - | 25 |
| | 42 XL 037 | A | 42 | 67,91 | 67,40 | - | - | 45 | 14,5 | - | 25 |
| | 43 XL 037 | A | 43 | 69,53 | 69,02 | - | - | 45 | 14,5 | - | 25 |
| | 44 XL 037 | A | 44 | 71,15 | 70,64 | - | - | 45 | 14,5 | - | 25 |
| | 45 XL 037 | B | 45 | 72,77 | 72,26 | - | - | 45 | 14,5 | - | 25 |
| 46 XL 037 | B | 46 | 74,38 | 73,87 | - | - | 45 | 14,5 | - | 25 | |
| 47 XL 037 | B | 47 | 76,00 | 75,49 | - | - | 45 | 14,5 | - | 25 | |
| 48 XL 037 | B | 48 | 77,62 | 77,11 | - | - | 45 | 14,5 | - | 25 | |
| 49 XL 037 | B | 49 | 79,23 | 78,72 | - | - | 45 | 14,5 | - | 25 | |
| 50 XL 037 | B | 50 | 80,85 | 80,34 | - | - | 45 | 14,5 | - | 25 | |
| 52 XL 037 | B | 52 | 84,08 | 83,57 | - | - | 45 | 14,5 | - | 25 | |
| 56 XL 037 | B | 56 | 90,55 | 90,04 | - | - | 45 | 14,5 | - | 25 | |
| 60 XL 037 | B | 60 | 97,02 | 96,51 | - | - | 45 | 14,5 | - | 25 | |
| 68 XL 037 | B | 68 | 109,96 | 109,45 | - | - | 45 | 14,5 | - | 25 | |
| 70 XL 037 | B | 70 | 113,19 | 112,68 | - | - | 45 | 14,5 | - | 25 | |
| 72 XL 037 | B | 72 | 116,43 | 115,92 | - | - | 45 | 14,5 | - | 25 | |
| 84 XL 037 | B | 84 | 135,83 | 135,32 | - | - | 50 | 14,5 | - | 25 | |
| 90 XL 037 | B | 90 | 145,53 | 145,02 | - | - | 70 | 14,5 | - | 25 | |

"Df e Dm possono variare senza preavviso"

"Nelle forme costruttive gli scarichi di alleggerimento possono leggermente variare"

| L 050 (passo 3/5" - 9,525 mm) per cinghia di larghezza 0,50" - 12,7mm L 050 (3/5" pitch - 9,525 mm) for 0,50" - 12,7 mm width belt | | | | | | | | | | | |
|---|-------------|-----------------|----------------|--------|--------|------------------------|-----|----|----|----|----|
| | Codice Code | Disegno Drawing | N° Denti Teeth | Dp | De | Flangia 1,5 Flange 1,5 | Df | Dm | B1 | B2 | L |
| Acciaio / Steel | 10 L 050 F | AF | 10 | 30,32 | 29,56 | Bm5 | 36 | 20 | 19 | 14 | 28 |
| | 11 L 050 F | AF | 11 | 33,35 | 32,59 | Bm7 | 41 | 24 | 19 | 14 | 30 |
| | 12 L 050 F | AF | 12 | 36,38 | 35,62 | Bm7 | 41 | 24 | 19 | 14 | 30 |
| | 13 L 050 F | AF | 13 | 39,41 | 38,65 | Bm8 | 47 | 28 | 19 | 14 | 30 |
| | 14 L 050 F | AF | 14 | 42,45 | 41,69 | Bm8 | 47 | 28 | 19 | 14 | 30 |
| | 15 L 050 F | AF | 15 | 45,48 | 44,72 | Bm10 | 51 | 34 | 19 | 14 | 30 |
| | 16 L 050 F | AF | 16 | 48,51 | 47,75 | Bm12 | 57 | 36 | 19 | 14 | 32 |
| | 17 L 050 F | AF | 17 | 51,54 | 50,78 | Bm12 | 57 | 36 | 19 | 14 | 32 |
| | 18 L 050 F | AF | 18 | 54,57 | 53,81 | Bm14 | 63 | 40 | 19 | 14 | 32 |
| | 19 L 050 F | AF | 19 | 57,61 | 56,85 | Bm14 | 63 | 40 | 19 | 14 | 32 |
| | 20 L 050 F | AF | 20 | 60,64 | 59,88 | Bm15 | 66 | 46 | 19 | 14 | 32 |
| | 21 L 050 F | AF | 21 | 63,67 | 62,91 | Bm16 | 72 | 48 | 19 | 14 | 32 |
| | 22 L 050 F | AF | 22 | 66,70 | 65,94 | Bm17 | 75 | 48 | 19 | 14 | 32 |
| | 23 L 050 F | AF | 23 | 69,73 | 68,97 | Bm18 | 80 | 55 | 19 | 14 | 32 |
| | 24 L 050 F | AF | 24 | 72,77 | 72,01 | Bm18 | 80 | 55 | 19 | 14 | 32 |
| | 25 L 050 F | AF | 25 | 75,80 | 75,04 | Bm19 | 83 | 58 | 19 | 14 | 32 |
| | 26 L 050 F | AF | 26 | 78,83 | 78,07 | Bm20 | 87 | 62 | 19 | 14 | 32 |
| | 27 L 050 F | AF | 27 | 81,86 | 81,10 | Bm20 | 87 | 62 | 19 | 14 | 32 |
| | 28 L 050 F | AF | 28 | 84,89 | 84,13 | Bm21 | 91 | 65 | 19 | 14 | 32 |
| | 29 L 050 F | AF | 29 | 87,93 | 87,17 | Bm22 | 93 | 65 | 19 | 14 | 32 |
| | 30 L 050 F | AF | 30 | 90,96 | 90,20 | Bm23 | 97 | 65 | 19 | 14 | 32 |
| | 32 L 050 F | AF | 32 | 97,02 | 96,26 | Bm24 | 105 | 70 | 19 | 14 | 32 |
| | 33 L 050 F | AF | 33 | 100,05 | 99,29 | Bm24 | 105 | 70 | 19 | 14 | 32 |
| | 34 L 050 F | AF | 34 | 103,08 | 102,32 | Bm26 | 113 | 75 | 19 | 14 | 32 |
| | 35 L 050 F | AF | 35 | 106,12 | 105,36 | Bm26 | 113 | 75 | 19 | 14 | 32 |
| | 36 L 050 F | AF | 36 | 109,15 | 108,39 | Bm27 | 118 | 75 | 19 | 14 | 32 |
| | 40 L 050 F | BF | 40 | 121,28 | 120,52 | Bm29 | 127 | 65 | 19 | 14 | 32 |
| | 41 L 050 F | BF | 41 | 124,31 | 123,55 | Bm31 | 131 | 65 | 19 | 14 | 32 |
| | 42 L 050 F | BF | 42 | 127,34 | 126,58 | Bm31 | 131 | 65 | 19 | 14 | 32 |
| | 44 L 050 F | BF | 44 | 133,40 | 132,64 | Bm32 | 135 | 65 | 19 | 14 | 32 |
| | 45 L 050 F | BF | 45 | 136,44 | 135,68 | Bm34 | 143 | 65 | 19 | 14 | 32 |
| | 47 L 050 F | BF | 47 | 142,50 | 141,74 | Bm36 | 152 | 65 | 19 | 14 | 32 |
| | 48 L 050 F | BF | 48 | 145,53 | 144,76 | Bm36 | 152 | 65 | 19 | 14 | 32 |
| | 50 L 050 | B | 50 | 151,60 | 150,84 | - | - | 65 | 19 | - | 32 |
| | 52 L 050 | B | 52 | 157,66 | 156,90 | - | - | 65 | 19 | - | 32 |
| | 56 L 050 | B | 56 | 169,79 | 169,03 | - | - | 65 | 19 | - | 32 |
| 57 L 050 | B | 57 | 172,82 | 172,06 | - | - | 65 | 19 | - | 32 | |
| 60 L 050 | B | 60 | 181,91 | 181,15 | - | - | 80 | 19 | - | 42 | |
| 72 L 050 | B | 72 | 218,30 | 217,54 | - | - | 75 | 19 | - | 42 | |
| 84 L 050 | B | 84 | 254,68 | 253,92 | - | - | 75 | 19 | - | 42 | |
| 90 L 050 | B | 90 | 272,87 | 272,11 | - | - | 100 | 19 | - | 45 | |

"Df e Dm possono variare senza preavviso"

"Nelle forme costruttive gli scarichi di alleggerimento possono leggermente variare"

| L 075 (passo 3/8" - 9,525 mm) per cinghia di larghezza 0,75" - 19,05 mm L 075 (3/8" pitch - 9,525 mm) for 0/75" - 19,05 mm width belt | | | | | | | | | | | |
|--|-------------|-----------------|----------------|--------|--------|------------------------|-----|------|------|------|----|
| | Codice Code | Disegno Drawing | N° Denti Teeth | Dp | De | Flangia 1,5 Flange 1,5 | Df | Dm | B1 | B2 | L |
| Acciaio / Steel | 10 L 075 F | AF | 10 | 30,32 | 29,56 | Bm5 | 36 | 20 | 25,5 | 20,5 | 38 |
| | 11 L 075 F | AF | 11 | 33,35 | 32,59 | Bm7 | 41 | 24 | 25,5 | 20,5 | 38 |
| | 12 L 075 F | AF | 12 | 36,38 | 35,62 | Bm7 | 41 | 24 | 25,5 | 20,5 | 38 |
| | 13 L 075 F | AF | 13 | 39,41 | 38,65 | Bm8 | 47 | 28 | 25,5 | 20,5 | 38 |
| | 14 L 075 F | AF | 14 | 42,45 | 41,69 | Bm8 | 47 | 28 | 25,5 | 20,5 | 38 |
| | 15 L 075 F | AF | 15 | 45,48 | 44,72 | Bm10 | 51 | 34 | 25,5 | 20,5 | 38 |
| | 16 L 075 F | AF | 16 | 48,51 | 47,75 | Bm12 | 57 | 36 | 25,5 | 20,5 | 38 |
| | 17 L 075 F | AF | 17 | 51,54 | 50,78 | Bm12 | 57 | 36 | 25,5 | 20,5 | 38 |
| | 18 L 075 F | AF | 18 | 54,57 | 53,81 | Bm14 | 63 | 40 | 25,5 | 20,5 | 38 |
| | 19 L 075 F | AF | 19 | 57,61 | 56,85 | Bm14 | 63 | 40 | 25,5 | 20,5 | 38 |
| | 20 L 075 F | AF | 20 | 60,64 | 59,88 | Bm15 | 66 | 46 | 25,5 | 20,5 | 38 |
| | 21 L 075 F | AF | 21 | 63,67 | 62,91 | Bm16 | 72 | 48 | 25,5 | 20,5 | 38 |
| | 22 L 075 F | AF | 22 | 66,70 | 65,94 | Bm17 | 75 | 48 | 25,5 | 20,5 | 38 |
| | 23 L 075 F | AF | 23 | 69,73 | 68,97 | Bm18 | 80 | 55 | 25,5 | 20,5 | 38 |
| | 24 L 075 F | AF | 24 | 72,77 | 72,01 | Bm18 | 80 | 55 | 25,5 | 20,5 | 38 |
| | 25 L 075 F | AF | 25 | 75,80 | 75,04 | Bm19 | 83 | 58 | 25,5 | 20,5 | 38 |
| | 26 L 075 F | AF | 26 | 78,83 | 78,07 | Bm20 | 87 | 62 | 25,5 | 20,5 | 38 |
| | 27 L 075 F | AF | 27 | 81,86 | 81,10 | Bm20 | 87 | 62 | 25,5 | 20,5 | 38 |
| | 28 L 075 F | AF | 28 | 84,89 | 84,13 | Bm21 | 91 | 65 | 25,5 | 20,5 | 38 |
| | 29 L 075 F | AF | 29 | 87,93 | 87,17 | Bm22 | 93 | 65 | 25,5 | 20,5 | 38 |
| | 30 L 075 F | AF | 30 | 90,96 | 90,20 | Bm23 | 97 | 65 | 25,5 | 20,5 | 38 |
| | 32 L 075 F | AF | 32 | 97,02 | 96,26 | Bm24 | 105 | 70 | 25,5 | 20,5 | 38 |
| | 33 L 075 F | AF | 33 | 100,05 | 99,29 | Bm24 | 105 | 70 | 25,5 | 20,5 | 38 |
| | 34 L 075 F | AF | 34 | 103,08 | 102,32 | Bm26 | 113 | 75 | 25,5 | 20,5 | 38 |
| | 35 L 075 F | AF | 35 | 106,12 | 105,36 | Bm26 | 113 | 75 | 25,5 | 20,5 | 38 |
| | 36 L 075 F | AF | 36 | 109,15 | 108,39 | Bm27 | 118 | 75 | 25,5 | 20,5 | 38 |
| | 40 L 075 F | BF | 40 | 121,28 | 120,52 | Bm29 | 127 | 65 | 25,5 | 20,5 | 38 |
| | 41 L 075 F | BF | 41 | 124,31 | 123,55 | Bm31 | 131 | 65 | 25,5 | 20,5 | 38 |
| | 42 L 075 F | BF | 42 | 127,34 | 126,58 | Bm31 | 131 | 65 | 25,5 | 20,5 | 38 |
| | 44 L 075 F | BF | 44 | 133,40 | 132,64 | Bm32 | 135 | 65 | 25,5 | 20,5 | 38 |
| | 45 L 075 F | BF | 45 | 136,44 | 135,68 | Bm34 | 143 | 65 | 25,5 | 20,5 | 38 |
| | 47 L 075 F | BF | 47 | 142,50 | 141,74 | Bm36 | 152 | 65 | 25,5 | 20,5 | 38 |
| | 48 L 075 F | BF | 48 | 145,53 | 144,76 | Bm36 | 152 | 65 | 25,5 | 20,5 | 38 |
| | 50 L 075 | B | 50 | 151,60 | 150,84 | - | - | 65 | 25,5 | - | 38 |
| | 52 L 075 | B | 52 | 157,66 | 156,90 | - | - | 65 | 25,5 | - | 38 |
| | 56 L 075 | B | 56 | 169,79 | 169,03 | - | - | 65 | 25,5 | - | 38 |
| 57 L 075 | B | 57 | 172,82 | 172,06 | - | - | 65 | 25,5 | - | 38 | |
| 60 L 075 | B | 60 | 181,91 | 181,15 | - | - | 80 | 25,5 | - | 45 | |
| 72 L 075 | B | 72 | 218,30 | 217,54 | - | - | 75 | 25,5 | - | 45 | |
| 84 L 075 | B | 84 | 254,68 | 253,92 | - | - | 75 | 25,5 | - | 45 | |

"Df e Dm possono variare senza preavviso"

"Nelle forme costruttive gli scarichi di alleggerimento possono leggermente variare"

| L 100 (passo 3/8" - 9,525 mm) per cinghia di larghezza 1,00" - 25,4 mm L 100 (3/8" pitch - 9,525 mm) for 1,00" - 25,4 mm width belt | | | | | | | | | | | | |
|--|--------------------------|-----------------|----------------|--------|--------|------------------------|------|-----|----|----|----|----|
| | Codice Code | Disegno Drawing | N° Denti Teeth | Dp | De | Flangia 1,5 Flange 1,5 | Df | Dm | B1 | B2 | L | |
| Acciaio / Steel | 10 L 100 F | AF | 10 | 30,32 | 29,56 | Bm5 | 36 | 20 | 32 | 27 | 45 | |
| | 11 L 100 F | AF | 11 | 33,35 | 32,59 | Bm7 | 41 | 24 | 32 | 27 | 45 | |
| | 12 L 100 F | AF | 12 | 36,38 | 35,62 | Bm7 | 41 | 24 | 32 | 27 | 45 | |
| | 13 L 100 F | AF | 13 | 39,41 | 38,65 | Bm8 | 47 | 28 | 32 | 27 | 45 | |
| | 14 L 100 F | AF | 14 | 42,45 | 41,69 | Bm8 | 47 | 28 | 32 | 27 | 45 | |
| | 15 L 100 F | AF | 15 | 45,48 | 44,72 | Bm10 | 51 | 34 | 32 | 27 | 45 | |
| | 16 L 100 F | AF | 16 | 48,51 | 47,75 | Bm12 | 57 | 36 | 32 | 27 | 45 | |
| | 17 L 100 F | AF | 17 | 51,54 | 50,78 | Bm12 | 57 | 36 | 32 | 27 | 45 | |
| | 18 L 100 F | AF | 18 | 54,57 | 53,81 | Bm14 | 63 | 40 | 32 | 27 | 45 | |
| | 19 L 100 F | AF | 19 | 57,61 | 56,85 | Bm14 | 63 | 40 | 32 | 27 | 45 | |
| | 20 L 100 F | AF | 20 | 60,64 | 59,88 | Bm15 | 66 | 46 | 32 | 27 | 45 | |
| | 21 L 100 F | AF | 21 | 63,67 | 62,91 | Bm16 | 72 | 48 | 32 | 27 | 45 | |
| | 22 L 100 F | AF | 22 | 66,70 | 65,94 | Bm17 | 75 | 48 | 32 | 27 | 45 | |
| | 23 L 100 F | AF | 23 | 69,73 | 68,97 | Bm18 | 80 | 55 | 32 | 27 | 45 | |
| | 24 L 100 F | AF | 24 | 72,77 | 72,01 | Bm18 | 80 | 55 | 32 | 27 | 45 | |
| | 25 L 100 F | AF | 25 | 75,80 | 75,04 | Bm19 | 83 | 58 | 32 | 27 | 45 | |
| | 26 L 100 F | AF | 26 | 78,83 | 78,07 | Bm20 | 87 | 62 | 32 | 27 | 45 | |
| | 27 L 100 F | AF | 27 | 81,86 | 81,10 | Bm20 | 87 | 62 | 32 | 27 | 45 | |
| | 28 L 100 F | AF | 28 | 84,89 | 84,13 | Bm21 | 91 | 65 | 32 | 27 | 45 | |
| | 29 L 100 F | AF | 29 | 87,93 | 87,17 | Bm22 | 93 | 65 | 32 | 27 | 45 | |
| | 30 L 100 F | AF | 30 | 90,96 | 90,20 | Bm23 | 97 | 65 | 32 | 27 | 45 | |
| | 32 L 100 F | AF | 32 | 97,02 | 96,26 | Bm24 | 105 | 70 | 32 | 27 | 45 | |
| | 33 L 100 F | AF | 33 | 100,05 | 99,29 | Bm24 | 105 | 70 | 32 | 27 | 45 | |
| | 34 L 100 F | AF | 34 | 103,08 | 102,32 | Bm26 | 113 | 75 | 32 | 27 | 45 | |
| | 35 L 100 F | AF | 35 | 106,12 | 105,36 | Bm26 | 113 | 75 | 32 | 27 | 45 | |
| | 36 L 100 F | AF | 36 | 109,15 | 108,39 | Bm27 | 118 | 75 | 32 | 27 | 45 | |
| | Ghisa / Cast Iron | 40 L 100 F | BF | 40 | 121,28 | 120,52 | Bm29 | 127 | 65 | 32 | 27 | 45 |
| | | 41 L 100 F | BF | 41 | 124,31 | 123,55 | Bm31 | 131 | 65 | 32 | 27 | 45 |
| | | 42 L 100 F | BF | 42 | 127,34 | 126,58 | Bm31 | 131 | 65 | 32 | 27 | 45 |
| | | 44 L 100 F | BF | 44 | 133,40 | 132,64 | Bm32 | 135 | 65 | 32 | 27 | 45 |
| | | 45 L 100 F | BF | 45 | 136,44 | 135,68 | Bm34 | 143 | 65 | 32 | 27 | 45 |
| | | 47 L 100 F | BF | 47 | 142,50 | 141,74 | Bm36 | 152 | 65 | 32 | 27 | 45 |
| | | 48 L 100 F | BF | 48 | 145,53 | 144,76 | Bm36 | 152 | 65 | 32 | 27 | 45 |
| | | 50 L 100 | B | 50 | 151,60 | 150,84 | - | - | 65 | 32 | - | 45 |
| | | 52 L 100 | B | 52 | 157,66 | 156,90 | - | - | 65 | 32 | - | 45 |
| | | 56 L 100 | B | 56 | 169,79 | 169,03 | - | - | 65 | 32 | - | 45 |
| 57 L 100 | | B | 57 | 172,82 | 172,06 | - | - | 65 | 32 | - | 45 | |
| 60 L 100 | | B | 60 | 181,91 | 181,15 | - | - | 70 | 32 | - | 50 | |
| 72 L 100 | | B | 72 | 218,30 | 217,54 | - | - | 75 | 32 | - | 50 | |
| 84 L 100 | | B | 84 | 254,68 | 253,92 | - | - | 75 | 32 | - | 50 | |

"Df e Dm possono variare senza preavviso"

"Nelle forme costruttive gli scarichi di alleggerimento possono leggermente variare"



| H 075 (passo 1/2" - 12,7 mm) per cinghia di larghezza 0,75" - 19,05 mm H 075 (1/2" pitch - 12,7 mm) for 0,75" - 19,05 mm width belt | | | | | | | | | | | |
|--|-------------|-----------------|----------------|--------|--------|------------------------|-----|------|------|------|----|
| | Codice Code | Disegno Drawing | N° Denti Teeth | Dp | De | Flangia 1,5 Flange 1,5 | Df | Dm | B1 | B2 | L |
| Acciaio / Steel | 14 H 075 F | AF | 14 | 56,60 | 55,23 | Bm14 | 63 | 41 | 25,5 | 20,5 | 40 |
| | 15 H 075 F | AF | 15 | 60,64 | 59,27 | Bm15 | 66 | 45 | 25,5 | 20,5 | 40 |
| | 16 H 075 F | AF | 16 | 64,68 | 63,31 | Bm16 | 72 | 49 | 25,5 | 20,5 | 40 |
| | 17 H 075 F | AF | 17 | 68,72 | 67,35 | Bm17 | 75 | 52 | 25,5 | 20,5 | 40 |
| | 18 H 075 F | AF | 18 | 72,77 | 71,40 | Bm18 | 80 | 57 | 25,5 | 20,5 | 40 |
| | 19 H 075 F | AF | 19 | 76,81 | 75,44 | Bm19 | 83 | 61 | 25,5 | 20,5 | 40 |
| | 20 H 075 F | AF | 20 | 80,85 | 79,48 | Bm20 | 87 | 62 | 25,5 | 20,5 | 40 |
| | 21 H 075 F | AF | 21 | 84,89 | 83,52 | Bm21 | 91 | 67 | 25,5 | 20,5 | 40 |
| | 22 H 075 F | AF | 22 | 88,94 | 87,57 | Bm23 | 97 | 70 | 25,5 | 20,5 | 40 |
| | 23 H 075 F | AF | 23 | 92,98 | 91,61 | Bm23 | 97 | 75 | 25,5 | 20,5 | 40 |
| Ghisa / Cast Iron | 24 H 075 F | AF | 24 | 97,02 | 95,65 | Bm24 | 105 | 75 | 25,5 | 20,5 | 40 |
| | 25 H 075 F | AF | 25 | 101,06 | 99,69 | Bm24 | 105 | 80 | 25,5 | 20,5 | 40 |
| | 26 H 075 F | AF | 26 | 105,11 | 103,74 | Bm26 | 113 | 80 | 25,5 | 20,5 | 40 |
| | 27 H 075 F | AF | 27 | 109,15 | 107,78 | Bm27 | 118 | 80 | 25,5 | 20,5 | 40 |
| | 28 H 075 F | AF | 28 | 113,19 | 111,82 | Bm28 | 119 | 80 | 25,5 | 20,5 | 40 |
| | 29 H 075 F | AF | 29 | 117,23 | 115,86 | Bm28 | 119 | 80 | 25,5 | 20,5 | 40 |
| | 30 H 075 F | AF | 30 | 121,28 | 119,91 | Bm29 | 127 | 80 | 25,5 | 20,5 | 40 |
| | 32 H 075 F | AF | 32 | 129,36 | 127,99 | Bm32 | 135 | 80 | 25,5 | 20,5 | 40 |
| | 33 H 075 F | BF | 33 | 133,40 | 132,03 | Bm32 | 135 | 80 | 25,5 | 20,5 | 40 |
| | 34 H 075 F | BF | 34 | 137,45 | 136,08 | Bm34 | 143 | 80 | 25,5 | 20,5 | 40 |
| | 35 H 075 F | BF | 35 | 141,49 | 140,12 | Bm36 | 152 | 80 | 25,5 | 20,5 | 40 |
| | 36 H 075 F | BF | 36 | 145,53 | 144,16 | Bm36 | 152 | 80 | 25,5 | 20,5 | 40 |
| | 38 H 075 F | BF | 38 | 153,62 | 152,25 | Bm37 | 160 | 80 | 25,5 | 20,5 | 40 |
| | 40 H 075 F | BF | 40 | 161,70 | 160,33 | Bm38 | 168 | 80 | 25,5 | 20,5 | 40 |
| | 44 H 075 F | BF | 44 | 177,87 | 176,50 | Bm40 | 182 | 80 | 25,5 | 20,5 | 40 |
| | 45 H 075 F | BF | 45 | 181,91 | 180,54 | Bm41 | 194 | 90 | 25,5 | 20,5 | 45 |
| | 48 H 075 F | BF | 48 | 194,04 | 192,67 | Bm42 | 200 | 90 | 25,5 | 20,5 | 45 |
| 50 H 075 | B | 50 | 202,13 | 200,76 | - | - | 90 | 25,5 | - | 45 | |

"Df e Dm possono variare senza preavviso"

"Nelle forme costruttive gli scarichi di alleggerimento possono leggermente variare"

| H 100 (passo 1/2" - 12,7 mm) per cinghia di larghezza 1,00" - 25,4 mm H 100 (1/2" pitch - 12,7 mm) for 1,00" - 25,4 mm width belt | | | | | | | | | | | |
|--|-------------|-----------------|----------------|--------|--------|------------------------|-----|----|----|----|----|
| | Codice Code | Disegno Drawing | N° Denti Teeth | Dp | De | Flangia 1,5 Flange 1,5 | Df | Dm | B1 | B2 | L |
| Acciaio / Steel | 14 H 100 F | AF | 14 | 56,60 | 55,23 | Bm14 | 63 | 41 | 32 | 27 | 45 |
| | 15 H 100 F | AF | 15 | 60,64 | 59,27 | Bm15 | 66 | 45 | 32 | 27 | 45 |
| | 16 H 100 F | AF | 16 | 64,68 | 63,31 | Bm16 | 72 | 49 | 32 | 27 | 45 |
| | 17 H 100 F | AF | 17 | 68,72 | 67,35 | Bm17 | 75 | 52 | 32 | 27 | 45 |
| | 18 H 100 F | AF | 18 | 72,77 | 71,40 | Bm18 | 80 | 57 | 32 | 27 | 45 |
| | 19 H 100 F | AF | 19 | 76,81 | 75,44 | Bm19 | 83 | 61 | 32 | 27 | 45 |
| | 20 H 100 F | AF | 20 | 80,85 | 79,48 | Bm20 | 87 | 62 | 32 | 27 | 45 |
| | 21 H 100 F | AF | 21 | 84,89 | 83,52 | Bm21 | 91 | 67 | 32 | 27 | 45 |
| | 22 H 100 F | AF | 22 | 88,94 | 87,57 | Bm23 | 97 | 70 | 32 | 27 | 45 |
| | 23 H 100 F | AF | 23 | 92,98 | 91,61 | Bm23 | 97 | 75 | 32 | 27 | 45 |
| | 24 H 100 F | AF | 24 | 97,02 | 95,65 | Bm24 | 105 | 75 | 32 | 27 | 45 |
| | 25 H 100 F | AF | 25 | 101,06 | 99,69 | Bm24 | 105 | 80 | 32 | 27 | 45 |
| | 26 H 100 F | AF | 26 | 105,11 | 103,74 | Bm26 | 113 | 80 | 32 | 27 | 45 |
| | 27 H 100 F | AF | 27 | 109,15 | 107,78 | Bm27 | 118 | 80 | 32 | 27 | 45 |
| | 28 H 100 F | AF | 28 | 113,19 | 111,82 | Bm28 | 119 | 80 | 32 | 27 | 45 |
| | 29 H 100 F | AF | 29 | 117,23 | 115,86 | Bm28 | 119 | 80 | 32 | 27 | 45 |
| | 30 H 100 F | AF | 30 | 121,28 | 119,91 | Bm29 | 127 | 80 | 32 | 27 | 45 |
| | 32 H 100 F | AF | 32 | 129,36 | 127,99 | Bm32 | 135 | 80 | 32 | 27 | 45 |
| | 33 H 100 F | BF | 33 | 133,40 | 132,03 | Bm32 | 135 | 80 | 32 | 27 | 45 |
| | 34 H 100 F | BF | 34 | 137,45 | 136,08 | Bm34 | 143 | 80 | 32 | 27 | 45 |
| | 35 H 100 F | BF | 35 | 141,49 | 140,12 | Bm36 | 152 | 80 | 32 | 27 | 45 |
| | 36 H 100 F | BF | 36 | 145,53 | 144,16 | Bm36 | 152 | 80 | 32 | 27 | 45 |
| | 38 H 100 F | BF | 38 | 153,62 | 152,25 | Bm37 | 160 | 80 | 32 | 27 | 45 |
| 40 H 100 F | BF | 40 | 161,70 | 160,33 | Bm38 | 168 | 80 | 32 | 27 | 45 | |
| 44 H 100 F | BF | 44 | 177,87 | 176,50 | Bm40 | 182 | 80 | 32 | 27 | 50 | |
| 45 H 100 F | BF | 45 | 181,91 | 180,54 | Bm41 | 194 | 90 | 32 | 27 | 50 | |
| 48 H 100 F | BF | 48 | 194,04 | 192,67 | Bm42 | 200 | 90 | 32 | 27 | 50 | |
| 50 H 100 | B | 50 | 202,13 | 200,76 | - | - | 90 | 32 | - | 50 | |
| 52 H 100 | B | 52 | 210,21 | 208,84 | - | - | 90 | 32 | - | 50 | |
| 58 H 100 | B | 58 | 234,47 | 233,10 | - | - | 90 | 32 | - | 50 | |
| 60 H 100 | C | 60 | 242,55 | 241,18 | - | - | 90 | 32 | - | 55 | |
| 70 H 100 | C | 70 | 282,98 | 281,61 | - | - | 90 | 32 | - | 55 | |
| 72 H 100 | C | 72 | 291,06 | 289,69 | - | - | 100 | 32 | - | 55 | |
| 84 H 100 | C | 84 | 339,57 | 338,20 | - | - | 100 | 32 | - | 55 | |
| 96 H 100 | C | 96 | 388,08 | 386,71 | - | - | 120 | 32 | - | 60 | |

"Df e Dm possono variare senza preavviso"

"Nelle forme costruttive gli scarichi di alleggerimento possono leggermente variare"



| H 150 (passo 1/2"- 12,7 mm) per cinghia di larghezza 1,50"- 38,1 mm H 150 (1/2" pitch - 12,7 mm) for 1,50" - 38,1 mm width belt | | | | | | | | | | | |
|--|-------------|-----------------|----------------|--------|--------|------------------------|-----|----|----|----|----|
| | Codice Code | Disegno Drawing | N° Denti Teeth | Dp | De | Flangia 1,5 Flange 1,5 | Df | Dm | B1 | B2 | L |
| Acciaio / Steel | 14 H 150 F | AF | 14 | 56,60 | 55,23 | Bm14 | 63 | 41 | 46 | 41 | 58 |
| | 15 H 150 F | AF | 15 | 60,64 | 59,27 | Bm15 | 66 | 45 | 46 | 41 | 58 |
| | 16 H 150 F | AF | 16 | 64,68 | 63,31 | Bm16 | 72 | 49 | 46 | 41 | 58 |
| | 17 H 150 F | AF | 17 | 68,72 | 67,35 | Bm17 | 75 | 52 | 46 | 41 | 58 |
| | 18 H 150 F | AF | 18 | 72,77 | 71,40 | Bm18 | 80 | 57 | 46 | 41 | 58 |
| | 19 H 150 F | AF | 19 | 76,81 | 75,44 | Bm19 | 83 | 61 | 46 | 41 | 58 |
| | 20 H 150 F | AF | 20 | 80,85 | 79,48 | Bm20 | 87 | 62 | 46 | 41 | 58 |
| | 21 H 150 F | AF | 21 | 84,89 | 83,52 | Bm21 | 91 | 67 | 46 | 41 | 58 |
| | 22 H 150 F | AF | 22 | 88,94 | 87,57 | Bm23 | 97 | 70 | 46 | 41 | 58 |
| | 23 H 150 F | AF | 23 | 92,98 | 91,61 | Bm23 | 97 | 75 | 46 | 41 | 58 |
| | 24 H 150 F | AF | 24 | 97,02 | 95,65 | Bm24 | 105 | 75 | 46 | 41 | 58 |
| | 25 H 150 F | AF | 25 | 101,06 | 99,69 | Bm24 | 105 | 80 | 46 | 41 | 58 |
| | 26 H 150 F | AF | 26 | 105,11 | 103,74 | Bm26 | 113 | 80 | 46 | 41 | 58 |
| | 27 H 150 F | AF | 27 | 109,15 | 107,78 | Bm27 | 118 | 80 | 46 | 41 | 58 |
| | 28 H 150 F | AF | 28 | 113,19 | 111,82 | Bm28 | 119 | 80 | 46 | 41 | 58 |
| | 29 H 150 F | AF | 29 | 117,23 | 115,86 | Bm28 | 119 | 80 | 46 | 41 | 58 |
| | 30 H 150 F | AF | 30 | 121,28 | 119,91 | Bm29 | 127 | 80 | 46 | 41 | 58 |
| | 32 H 150 F | AF | 32 | 129,36 | 127,99 | Bm32 | 135 | 80 | 46 | 41 | 58 |
| | 33 H 150 F | BF | 33 | 133,40 | 132,03 | Bm32 | 135 | 75 | 46 | 41 | 58 |
| | 34 H 150 F | BF | 34 | 137,45 | 136,08 | Bm34 | 143 | 80 | 46 | 41 | 58 |
| | 35 H 150 F | BF | 35 | 141,49 | 140,12 | Bm36 | 152 | 80 | 46 | 41 | 58 |
| | 36 H 150 F | BF | 36 | 145,53 | 144,16 | Bm36 | 152 | 80 | 46 | 41 | 58 |
| | 38 H 150 F | BF | 38 | 153,62 | 152,25 | Bm37 | 160 | 80 | 46 | 41 | 58 |
| 40 H 150 F | BF | 40 | 161,70 | 160,33 | Bm38 | 168 | 79 | 46 | 41 | 58 | |
| 44 H 150 F | BF | 44 | 177,87 | 176,50 | Bm40 | 182 | 80 | 46 | 41 | 58 | |
| 45 H 150 F | BF | 45 | 181,91 | 180,54 | Bm41 | 194 | 90 | 46 | 41 | 65 | |
| 48 H 150 F | BF | 48 | 194,04 | 192,67 | Bm42 | 200 | 90 | 46 | 41 | 65 | |
| 50 H 150 | B | 50 | 202,13 | 200,76 | - | - | 90 | 46 | - | 65 | |
| 52 H 150 | B | 52 | 210,21 | 208,84 | - | - | 90 | 46 | - | 65 | |
| 58 H 150 | B | 58 | 234,47 | 233,10 | - | - | 90 | 46 | - | 65 | |
| 60 H 150 | C | 60 | 242,55 | 241,18 | - | - | 85 | 46 | - | 65 | |
| 70 H 150 | C | 70 | 282,98 | 281,61 | - | - | 90 | 46 | - | 65 | |
| 72 H 150 | C | 72 | 291,06 | 289,69 | - | - | 100 | 46 | - | 65 | |
| 84 H 150 | C | 84 | 339,57 | 338,20 | - | - | 100 | 46 | - | 65 | |
| 96 H 150 | C | 96 | 388,08 | 386,71 | - | - | 120 | 46 | - | 65 | |

"Df e Dm possono variare senza preavviso"

"Nelle forme costruttive gli scarichi di alleggerimento possono leggermente variare"

| H 200 (passo 1/2" - 12,7 mm) per cinghia di larghezza 2,00" - 50,8 mm H 200 (1/2" pitch - 12,7 mm) for 2,00" - 50,8 mm width belt | | | | | | | | | | | |
|--|-------------|-----------------|----------------|--------|--------|------------------------|-----|----|----|----|----|
| | Codice Code | Disegno Drawing | N° Denti Teeth | Dp | De | Flangia 1,5 Flange 1,5 | Df | Dm | B1 | B2 | L |
| Acciaio / Steel | 14 H 200 F | AF | 14 | 56,60 | 55,23 | Bm14 | 63 | 41 | 59 | 54 | 70 |
| | 15 H 200 F | AF | 15 | 60,64 | 59,27 | Bm15 | 66 | 45 | 59 | 54 | 70 |
| | 16 H 200 F | AF | 16 | 64,68 | 63,31 | Bm16 | 72 | 49 | 59 | 54 | 70 |
| | 17 H 200 F | AF | 17 | 68,72 | 67,35 | Bm17 | 75 | 52 | 59 | 54 | 70 |
| | 18 H 200 F | AF | 18 | 72,77 | 71,40 | Bm18 | 80 | 57 | 59 | 54 | 70 |
| | 19 H 200 F | AF | 19 | 76,81 | 75,44 | Bm19 | 83 | 61 | 59 | 54 | 70 |
| | 20 H 200 F | AF | 20 | 80,85 | 79,48 | Bm20 | 87 | 62 | 59 | 54 | 70 |
| | 21 H 200 F | AF | 21 | 84,89 | 83,52 | Bm21 | 91 | 67 | 59 | 54 | 70 |
| | 22 H 200 F | AF | 22 | 88,94 | 87,57 | Bm23 | 97 | 70 | 59 | 54 | 70 |
| | 23 H 200 F | AF | 23 | 92,98 | 91,61 | Bm23 | 97 | 75 | 59 | 54 | 70 |
| | 24 H 200 F | AF | 24 | 97,02 | 95,65 | Bm24 | 105 | 75 | 59 | 54 | 70 |
| | 25 H 200 F | AF | 25 | 101,06 | 99,69 | Bm24 | 105 | 80 | 59 | 54 | 70 |
| | 26 H 200 F | AF | 26 | 105,11 | 103,74 | Bm26 | 113 | 80 | 59 | 54 | 70 |
| | 27 H 200 F | AF | 27 | 109,15 | 107,78 | Bm27 | 118 | 80 | 59 | 54 | 70 |
| | 28 H 200 F | AF | 28 | 113,19 | 111,82 | Bm28 | 119 | 80 | 59 | 54 | 70 |
| | 29 H 200 F | AF | 29 | 117,23 | 115,86 | Bm28 | 119 | 80 | 59 | 54 | 70 |
| | 30 H 200 F | AF | 30 | 121,28 | 119,91 | Bm29 | 127 | 80 | 59 | 54 | 70 |
| | 32 H 200 F | AF | 32 | 129,36 | 127,99 | Bm32 | 135 | 80 | 59 | 54 | 70 |
| | 33 H 200 F | BF | 33 | 133,40 | 132,03 | Bm32 | 135 | 80 | 59 | 54 | 70 |
| | 34 H 200 F | BF | 34 | 137,45 | 136,08 | Bm34 | 143 | 80 | 59 | 54 | 70 |
| | 35 H 200 F | BF | 35 | 141,49 | 140,12 | Bm36 | 152 | 80 | 59 | 54 | 70 |
| | 36 H 200 F | BF | 36 | 145,53 | 144,16 | Bm36 | 152 | 80 | 59 | 54 | 70 |
| 38 H 200 F | BF | 38 | 153,62 | 152,25 | Bm37 | 160 | 80 | 59 | 54 | 70 | |
| 40 H 200 F | BF | 40 | 161,70 | 160,33 | Bm38 | 168 | 80 | 59 | 54 | 70 | |
| 44 H 200 F | BF | 44 | 177,87 | 176,50 | Bm40 | 182 | 80 | 59 | 54 | 75 | |
| 45 H 200 F | BF | 45 | 181,91 | 180,54 | Bm41 | 194 | 90 | 59 | 54 | 75 | |
| 48 H 200 F | BF | 48 | 194,04 | 192,67 | Bm42 | 200 | 90 | 59 | 54 | 75 | |
| 50 H 200 | B | 50 | 202,13 | 200,76 | - | - | 90 | 59 | - | 75 | |
| 52 H 200 | B | 52 | 210,21 | 208,84 | - | - | 90 | 59 | - | 75 | |
| 58 H 200 | B | 58 | 234,47 | 233,10 | - | - | 90 | 59 | - | 75 | |
| 60 H 200 | C | 60 | 242,55 | 241,18 | - | - | 90 | 59 | - | 75 | |
| 70 H 200 | C | 70 | 282,98 | 281,61 | - | - | 90 | 59 | - | 75 | |
| 72 H 200 | C | 72 | 291,06 | 289,69 | - | - | 100 | 59 | - | 75 | |
| 84 H 200 | C | 84 | 339,57 | 338,20 | - | - | 100 | 59 | - | 75 | |
| 96 H 200 | C | 96 | 388,08 | 386,71 | - | - | 120 | 59 | - | 75 | |

"Df e Dm possono variare senza preavviso"

"Nelle forme costruttive gli scarichi di alleggerimento possono leggermente variare"

| H 300 (passo 1/2"- 12,7mm) per cinghia di larghezza 3,00" - 76,2 mm H 300 (1/2" pitch - 12,7 mm) for 3,00" - 76,2 mm width belt | | | | | | | | | | | |
|--|-------------|-----------------|----------------|--------|--------|------------------------|-----|-----|----|-----|-----|
| | Codice Code | Disegno Drawing | N° Denti Teeth | Dp | De | Flangia 1,5 Flange 1,5 | Df | Dm | B1 | B2 | L |
| Acciaio / Steel | 14 H 300 F | AF | 14 | 56,60 | 55,23 | Bm14 | 63 | 41 | 85 | 80 | 100 |
| | 15 H 300 F | AF | 15 | 60,64 | 59,27 | Bm15 | 66 | 45 | 85 | 80 | 100 |
| | 16 H 300 F | AF | 16 | 64,68 | 63,31 | Bm16 | 72 | 49 | 85 | 80 | 100 |
| | 17 H 300 F | AF | 17 | 68,72 | 67,35 | Bm17 | 75 | 52 | 85 | 80 | 100 |
| | 18 H 300 F | AF | 18 | 72,77 | 71,40 | Bm18 | 80 | 57 | 85 | 80 | 100 |
| | 19 H 300 F | AF | 19 | 76,81 | 75,44 | Bm19 | 83 | 61 | 85 | 80 | 100 |
| | 20 H 300 F | AF | 20 | 80,85 | 79,48 | Bm20 | 87 | 62 | 85 | 80 | 100 |
| | 21 H 300 F | AF | 21 | 84,89 | 83,52 | Bm21 | 91 | 67 | 85 | 80 | 100 |
| | 22 H 300 F | AF | 22 | 88,94 | 87,57 | Bm23 | 97 | 70 | 85 | 80 | 100 |
| | 23 H 300 F | AF | 23 | 92,98 | 91,61 | Bm23 | 97 | 75 | 85 | 80 | 100 |
| | 24 H 300 F | AF | 24 | 97,02 | 95,65 | Bm24 | 105 | 75 | 85 | 80 | 100 |
| | 25 H 300 F | AF | 25 | 101,06 | 99,69 | Bm24 | 105 | 80 | 85 | 80 | 100 |
| | 26 H 300 F | AF | 26 | 105,11 | 103,74 | Bm26 | 113 | 80 | 85 | 80 | 100 |
| | 27 H 300 F | AF | 27 | 109,15 | 107,78 | Bm27 | 118 | 80 | 85 | 80 | 100 |
| | 28 H 300 F | AF | 28 | 113,19 | 111,82 | Bm28 | 119 | 80 | 85 | 80 | 100 |
| | 29 H 300 F | AF | 29 | 117,23 | 115,86 | Bm28 | 119 | 80 | 85 | 80 | 100 |
| | 30 H 300 F | AF | 30 | 121,28 | 119,91 | Bm29 | 127 | 80 | 85 | 80 | 100 |
| | 32 H 300 F | AF | 32 | 129,36 | 127,99 | Bm32 | 135 | 80 | 85 | 80 | 100 |
| | 33 H 300 F | BF | 33 | 133,40 | 132,03 | Bm32 | 135 | 80 | 85 | 80 | 100 |
| | 34 H 300 F | BF | 34 | 137,45 | 136,08 | Bm34 | 143 | 80 | 85 | 80 | 100 |
| | 35 H 300 F | BF | 35 | 141,49 | 140,12 | Bm36 | 152 | 80 | 85 | 80 | 100 |
| | 36 H 300 F | BF | 36 | 145,53 | 144,16 | Bm36 | 152 | 80 | 85 | 80 | 100 |
| 38 H 300 F | BF | 38 | 153,62 | 152,25 | Bm37 | 160 | 80 | 85 | 80 | 100 | |
| 40 H 300 F | BF | 40 | 161,70 | 160,33 | Bm38 | 168 | 80 | 85 | 80 | 100 | |
| 44 H 300 F | BF | 44 | 177,87 | 176,50 | Bm40 | 182 | 80 | 85 | 80 | 100 | |
| 45 H 300 F | BF | 45 | 181,91 | 180,54 | Bm41 | 194 | 90 | 85 | 80 | 100 | |
| 48 H 300 F | BF | 48 | 194,04 | 192,67 | Bm42 | 200 | 90 | 85 | 80 | 100 | |
| Ghisa / Cast Iron | 50 H 300 | B | 50 | 202,13 | 200,76 | - | - | 90 | 85 | - | 100 |
| | 52 H 300 | B | 52 | 210,21 | 208,84 | - | - | 90 | 85 | - | 100 |
| | 58 H 300 | C | 58 | 234,47 | 233,10 | - | - | 90 | 85 | - | 100 |
| | 60 H 300 | C | 60 | 242,55 | 241,18 | - | - | 90 | 85 | - | 100 |
| | 70 H 300 | C | 70 | 282,98 | 281,61 | - | - | 90 | 85 | - | 100 |
| | 72 H 300 | C | 72 | 291,06 | 289,69 | - | - | 100 | 85 | - | 100 |
| | 84 H 300 | C | 84 | 339,57 | 338,20 | - | - | 100 | 85 | - | 100 |
| | 96 H 300 | C | 96 | 388,08 | 386,71 | - | - | 120 | 85 | - | 100 |

"Df e Dm possono variare senza preavviso"

"Nelle forme costruttive gli scarichi di alleggerimento possono leggermente variare"

| XH 200 (passo 7/8"-22,225 mm) per cinghia di larghezza 2,00"- 50,8 mm XH 200 (7/8" pitch -22,225 mm) for 2,00"- 50,8 mm width belt | | | | | | | | | | | |
|---|-------------|---------|----------|--------|--------|-------------|-----|-----|----|-----|-----|
| Ghisa / Cast iron | Code | Disegno | N° Denti | Dp | De | Flangia 2,5 | Df | Dm | B1 | B2 | L |
| | Code | Drawing | Teeth | | | Flange 2,5 | | | | | |
| | 18 XH 200 F | AF | 18 | 127,34 | 124,55 | Bm43 | 136 | 100 | 65 | 57 | 80 |
| | 20 XH 200 F | AF | 20 | 141,49 | 138,70 | Bm45 | 155 | 100 | 65 | 57 | 80 |
| | 22 XH 200 F | AF | 22 | 155,64 | 152,83 | Bm46 | 162 | 110 | 65 | 57 | 80 |
| | 24 XH 200 F | AF | 24 | 169,79 | 167,00 | Bm48 | 176 | 120 | 65 | 57 | 80 |
| | 26 XH 200 F | AF | 26 | 183,92 | 181,13 | Bm50 | 191 | 150 | 65 | 57 | 80 |
| | 28 XH 200 F | AF | 28 | 198,08 | 195,29 | Bm56 | 213 | 150 | 65 | 57 | 80 |
| | 30 XH 200 F | AF | 30 | 212,23 | 209,44 | Bm57 | 225 | 150 | 65 | 57 | 80 |
| | 32 XH 200 F | AF | 32 | 226,38 | 223,59 | Bm60 | 240 | 150 | 65 | 57 | 80 |
| | 40 XH 200 F | BF | 40 | 282,98 | 280,19 | Bm63 | 290 | 150 | 65 | 57 | 100 |
| 44 XH 200 | B | 44 | 311,28 | 308,48 | - | - | 150 | 65 | - | 100 | |
| 48 XH 200 | B | 48 | 339,57 | 336,78 | - | - | 150 | 65 | - | 100 | |

| XH 300 (passo 7/8"- 22,225 mm) per cinghia di larghezza 3,00"- 76,2 mm XH 300 (7/8" pitch - 22,225 mm) for 3,00"- 76,2 mm width belt | | | | | | | | | | | |
|---|-------------|---------|----------|--------|--------|-------------|-----|-----|----|-----|-----|
| Ghisa / Cast Iron | Code | Disegno | N° Denti | Dp | De | Flangia 2,5 | Df | Dm | B1 | B2 | L |
| | Code | Drawing | Teeth | | | Flange 2,5 | | | | | |
| | 18 XH 300 F | AF | 18 | 127,34 | 124,55 | Bm43 | 136 | 100 | 92 | 84 | 110 |
| | 20 XH 300 F | AF | 20 | 141,49 | 138,70 | Bm45 | 155 | 100 | 92 | 84 | 110 |
| | 22 XH 300 F | AF | 22 | 155,64 | 152,83 | Bm46 | 162 | 110 | 92 | 84 | 110 |
| | 24 XH 300 F | AF | 24 | 169,79 | 167,00 | Bm48 | 176 | 120 | 92 | 84 | 110 |
| | 26 XH 300 F | AF | 26 | 183,92 | 181,13 | Bm50 | 191 | 150 | 92 | 84 | 110 |
| | 28 XH 300 F | AF | 28 | 198,08 | 195,29 | Bm56 | 210 | 150 | 92 | 84 | 110 |
| | 30 XH 300 F | AF | 30 | 212,23 | 209,44 | Bm57 | 225 | 150 | 92 | 84 | 110 |
| | 32 XH 300 F | AF | 32 | 226,38 | 223,59 | Bm60 | 240 | 150 | 92 | 84 | 110 |
| | 40 XH 300 F | BF | 40 | 282,98 | 280,19 | Bm63 | 290 | 150 | 92 | 84 | 120 |
| 44 XH 300 | B | 44 | 311,28 | 308,48 | - | - | 150 | 92 | - | 120 | |
| 48 XH 300 | B | 48 | 339,57 | 336,78 | - | - | 150 | 92 | - | 120 | |

| XH 400 (passo 7/8"- 22,225 mm) per cinghia di larghezza 4,00"- 101,6 mm XH 400 (7/8" pitch - 22,225 mm) for 4,00"- 101,6 mm width belt | | | | | | | | | | | |
|---|-------------|---------|----------|--------|--------|-------------|-----|-----|-----|-----|-----|
| Ghisa / Cast Iron | Code | Disegno | N° Denti | Dp | De | Flangia 2,5 | Df | Dm | B1 | B2 | L |
| | Code | Drawing | Teeth | | | Flange 2,5 | | | | | |
| | 18 XH 400 F | AF | 18 | 127,34 | 124,55 | Bm43 | 136 | 100 | 119 | 111 | 132 |
| | 20 XH 400 F | AF | 20 | 141,49 | 138,70 | Bm45 | 155 | 100 | 119 | 111 | 132 |
| | 22 XH 400 F | AF | 22 | 155,64 | 152,83 | Bm46 | 162 | 110 | 119 | 111 | 132 |
| | 24 XH 400 F | AF | 24 | 169,79 | 167,00 | Bm48 | 176 | 120 | 119 | 111 | 132 |
| | 26 XH 400 F | AF | 26 | 183,92 | 181,13 | Bm50 | 191 | 150 | 119 | 111 | 132 |
| | 28 XH 400 F | AF | 28 | 198,08 | 195,29 | Bm56 | 210 | 150 | 119 | 111 | 132 |
| | 30 XH 400 F | AF | 30 | 212,23 | 209,44 | Bm57 | 225 | 150 | 119 | 111 | 132 |
| | 32 XH 400 F | AF | 32 | 226,38 | 223,59 | Bm60 | 240 | 150 | 119 | 111 | 132 |
| | 40 XH 400 F | BF | 40 | 282,98 | 280,19 | Bm63 | 290 | 150 | 119 | 111 | 132 |
| 44 XH 400 | B | 44 | 311,28 | 308,48 | - | - | 150 | 119 | - | 132 | |
| 48 XH 400 | B | 48 | 339,57 | 336,78 | - | - | 150 | 119 | - | 132 | |

"Df e Dm possono variare senza preavviso"

"Nelle forme costruttive gli scarichi di alleggerimento possono leggermente variare"

HTD 3M 06 (passo 3 mm) per cinghia di larghezza 6 mm
HTD 3M 06 (3 mm pitch) for 6 mm width belt

| Alluminio / Aluminium | Codice Code | Disegno Drawing | N° Denti Teeth | Dp | De | Flangia 1,0 Flange 1,0 | Df | Dm | B1 | B2 | L |
|-----------------------|-------------|-----------------|----------------|-------|------|------------------------|----|------|-----|------|------|
| | 10 3M 06 F | 1F | 10 | 9,55 | 8,79 | Bm73 | 12 | 12 | - | 7,3 | 14,5 |
| 12 3M 06 F | 1F | 12 | 11,46 | 10,70 | Bm74 | 15 | 13 | - | 7,3 | 14,5 | |
| 14 3M 06 F | 1F | 14 | 13,37 | 12,61 | Bm75 | 16 | 17 | - | 7,3 | 14,5 | |
| 15 3M 06 F | 1F | 15 | 14,32 | 13,56 | Bm75 | 16 | 17 | - | 7,3 | 14,5 | |
| 16 3M 06 F | AF | 16 | 15,28 | 14,52 | Bm0 | 19,5 | 10 | 10,3 | 7,3 | 17,5 | |
| 18 3M 06 F | AF | 18 | 17,19 | 16,43 | Bm1 | 22 | 11 | 10,3 | 7,3 | 17,5 | |
| 20 3M 06 F | AF | 20 | 19,10 | 18,34 | Bm2 | 25 | 11 | 10,3 | 7,3 | 17,5 | |
| 21 3M 06 F | AF | 21 | 20,05 | 19,29 | Bm2 | 25 | 14 | 10,3 | 7,3 | 17,5 | |
| 22 3M 06 F | AF | 22 | 21,01 | 20,25 | Bm2 | 25 | 14 | 10,3 | 7,3 | 17,5 | |
| 24 3M 06 F | AF | 24 | 22,92 | 22,16 | Bm3 | 28 | 14 | 10,3 | 7,3 | 17,5 | |
| 26 3M 06 F | AF | 26 | 24,83 | 24,07 | Bm3 | 28 | 16 | 10,3 | 7,3 | 17,5 | |
| 28 3M 06 F | AF | 28 | 26,74 | 25,98 | Bm4 | 32 | 16 | 10,3 | 7,3 | 17,5 | |
| 30 3M 06 F | AF | 30 | 28,65 | 27,89 | Bm4 | 32 | 16 | 10,3 | 7,3 | 17,5 | |
| 32 3M 06 F | AF | 32 | 30,56 | 29,80 | Bm5 | 36 | 20 | 10,3 | 7,3 | 17,5 | |
| 36 3M 06 F | AF | 36 | 34,38 | 33,62 | Bm6 | 38 | 24 | 10,3 | 7,3 | 18 | |
| 40 3M 06 F | AF | 40 | 38,20 | 37,44 | Bm7 | 41 | 26 | 10,3 | 7,3 | 18 | |
| 44 3M 06 F | AF | 44 | 42,02 | 41,25 | Bm8 | 47 | 30 | 10,3 | 7,3 | 18 | |
| 48 3M 06 | A | 48 | 45,84 | 45,07 | - | - | 35 | 10,3 | - | 18,6 | |
| 60 3M 06 | A | 60 | 57,30 | 56,53 | - | - | 40 | 10,3 | - | 18,6 | |
| 72 3M 06 | A | 72 | 68,75 | 67,99 | - | - | 40 | 10,3 | - | 18,6 | |

HTD 3M 09 (passo 3 mm) per cinghia di larghezza 9 mm
HTD 3M 09 (3 mm pitch) for 9 mm width belt

| Alluminio / Aluminium | Codice Code | Disegno Drawing | N° Denti Teeth | Dp | De | Flangia 1,0 Flange 1,0 | Df | Dm | B1 | B2 | L |
|-----------------------|-------------|-----------------|----------------|-------|------|------------------------|----|----|----|------|----|
| | 10 3M 09 F | 1F | 10 | 9,55 | 8,79 | Bm73 | 12 | 12 | - | 11 | 18 |
| 12 3M 09 F | 1F | 12 | 11,46 | 10,70 | Bm74 | 15 | 13 | - | 11 | 18 | |
| 14 3M 09 F | 1F | 14 | 13,37 | 12,61 | Bm75 | 16 | 17 | - | 11 | 18 | |
| 15 3M 09 F | 1F | 15 | 14,32 | 13,56 | Bm75 | 16 | 17 | - | 11 | 18 | |
| 16 3M 09 F | AF | 16 | 15,28 | 14,52 | Bm0 | 19,5 | 10 | 14 | 11 | 21 | |
| 18 3M 09 F | AF | 18 | 17,19 | 16,43 | Bm1 | 22 | 11 | 14 | 11 | 21 | |
| 20 3M 09 F | AF | 20 | 19,10 | 18,34 | Bm2 | 25 | 11 | 14 | 11 | 21 | |
| 21 3M 09 F | AF | 21 | 20,05 | 19,29 | Bm2 | 25 | 14 | 14 | 11 | 21 | |
| 22 3M 09 F | AF | 22 | 21,01 | 20,25 | Bm2 | 25 | 14 | 14 | 11 | 21 | |
| 24 3M 09 F | AF | 24 | 22,92 | 22,16 | Bm3 | 28 | 14 | 14 | 11 | 21 | |
| 26 3M 09 F | AF | 26 | 24,83 | 24,07 | Bm3 | 28 | 16 | 14 | 11 | 21 | |
| 28 3M 09 F | AF | 28 | 26,74 | 25,98 | Bm4 | 32 | 16 | 14 | 11 | 21 | |
| 30 3M 09 F | AF | 30 | 28,65 | 27,89 | Bm4 | 32 | 16 | 14 | 11 | 21 | |
| 32 3M 09 F | AF | 32 | 30,56 | 29,80 | Bm5 | 36 | 20 | 14 | 11 | 21 | |
| 36 3M 09 F | AF | 36 | 34,38 | 33,62 | Bm6 | 38 | 24 | 14 | 11 | 22,5 | |
| 40 3M 09 F | AF | 40 | 38,20 | 37,44 | Bm7 | 41 | 26 | 14 | 11 | 22,5 | |
| 44 3M 09 F | AF | 44 | 42,02 | 41,25 | Bm8 | 47 | 30 | 14 | 11 | 22,5 | |
| 48 3M 09 | A | 48 | 45,84 | 45,07 | - | - | 35 | 14 | - | 22,5 | |
| 60 3M 09 | A | 60 | 57,30 | 56,53 | - | - | 40 | 14 | - | 22,5 | |
| 72 3M 09 | A | 72 | 68,75 | 67,99 | - | - | 40 | 14 | - | 22,5 | |

HTD 3M 15 (passo 3 mm) per cinghia di larghezza 15 mm
HTD 3M 15 (3 mm pitch) for 15 mm width belt

| Alluminio / Aluminium | Codice Code | Disegno Drawing | N° Denti Teeth | Dp | De | Flangia 1,0 Flange 1,0 | Df | Dm | B1 | B2 | L |
|-----------------------|-------------|-----------------|----------------|-------|------|------------------------|----|----|----|----|----|
| | 10 3M 15 F | 1F | 10 | 9,55 | 8,79 | Bm73 | 12 | 12 | - | 17 | 26 |
| 12 3M 15 F | 1F | 12 | 11,46 | 10,70 | Bm74 | 15 | 13 | - | 17 | 26 | |
| 14 3M 15 F | 1F | 14 | 13,37 | 12,61 | Bm75 | 16 | 17 | - | 17 | 26 | |
| 15 3M 15 F | 1F | 15 | 14,32 | 13,56 | Bm75 | 16 | 17 | - | 17 | 26 | |
| 16 3M 15 F | AF | 16 | 15,28 | 14,52 | Bm0 | 19,5 | 10 | 20 | 17 | 26 | |
| 18 3M 15 F | AF | 18 | 17,19 | 16,43 | Bm1 | 22 | 11 | 20 | 17 | 26 | |
| 20 3M 15 F | AF | 20 | 19,10 | 18,34 | Bm2 | 25 | 11 | 20 | 17 | 26 | |
| 21 3M 15 F | AF | 21 | 20,05 | 19,29 | Bm2 | 25 | 14 | 20 | 17 | 26 | |
| 22 3M 15 F | AF | 22 | 21,01 | 20,25 | Bm2 | 25 | 14 | 20 | 17 | 26 | |
| 24 3M 15 F | AF | 24 | 22,92 | 22,16 | Bm3 | 28 | 14 | 20 | 17 | 26 | |
| 26 3M 15 F | AF | 26 | 24,83 | 24,07 | Bm3 | 28 | 16 | 20 | 17 | 26 | |
| 28 3M 15 F | AF | 28 | 26,74 | 25,98 | Bm4 | 32 | 16 | 20 | 17 | 26 | |
| 30 3M 15 F | AF | 30 | 28,65 | 27,89 | Bm4 | 32 | 16 | 20 | 17 | 26 | |
| 32 3M 15 F | AF | 32 | 30,56 | 29,80 | Bm5 | 36 | 20 | 20 | 17 | 26 | |
| 36 3M 15 F | AF | 36 | 34,38 | 33,62 | Bm6 | 38 | 24 | 20 | 17 | 26 | |
| 40 3M 15 F | AF | 40 | 38,20 | 37,44 | Bm7 | 41 | 26 | 20 | 17 | 26 | |
| 44 3M 15 F | AF | 44 | 42,02 | 41,25 | Bm8 | 47 | 30 | 20 | 17 | 26 | |
| 48 3M 15 | A | 48 | 45,84 | 45,07 | - | - | 35 | 20 | - | 26 | |
| 60 3M 15 | A | 60 | 57,30 | 56,53 | - | - | 40 | 20 | - | 26 | |
| 72 3M 15 | A | 72 | 68,75 | 67,99 | - | - | 40 | 20 | - | 26 | |

"Df e Dm possono variare senza preavviso"

"Nelle forme costruttive gli scarichi di alleggerimento possono leggermente variare"

PULEGGE DENTATE PASSO HTD
HTD PITCH TIMING PULLEYS



MEGADYNE

HTD 5M 09 (passo 5 mm) per cinghia di larghezza 9 mm
HTD 5M 09 (5 mm pitch) for 9 mm width belt

| | Codice Code | Disegno Drawing | N° Denti Teeth | Dp | De | Flangia 1,0 Flange 1,0 | Df | Dm | B1 | B2 | L |
|------------------------|-------------|-----------------|----------------|--------|--------|------------------------|----|----|------|----|----|
| Acciaio / Steel | 12 5M 09 F | AF | 12 | 19,09 | 17,95 | Bm1 | 22 | 12 | 14,5 | 11 | 20 |
| | 14 5M 09 F | AF | 14 | 22,28 | 21,14 | Bm2 | 25 | 14 | 14,5 | 11 | 20 |
| | 15 5M 09 F | AF | 15 | 23,87 | 22,73 | Bm3 | 28 | 16 | 14,5 | 11 | 20 |
| | 16 5M 09 F | AF | 16 | 25,46 | 24,32 | Bm3 | 28 | 16 | 14,5 | 11 | 20 |
| | 18 5M 09 F | AF | 18 | 28,65 | 27,50 | Bm4 | 32 | 20 | 14,5 | 11 | 20 |
| | 20 5M 09 F | AF | 20 | 31,83 | 30,69 | Bm5 | 36 | 23 | 14,5 | 11 | 23 |
| | 21 5M 09 F | AF | 21 | 33,42 | 32,28 | Bm6 | 38 | 24 | 14,5 | 11 | 23 |
| | 22 5M 09 F | AF | 22 | 35,01 | 33,87 | Bm6 | 38 | 24 | 14,5 | 11 | 23 |
| | 24 5M 09 F | AF | 24 | 38,20 | 37,05 | Bm7 | 41 | 27 | 14,5 | 11 | 23 |
| | 26 5M 09 F | AF | 26 | 41,38 | 40,24 | Bm8 | 47 | 30 | 14,5 | 11 | 23 |
| | 28 5M 09 F | AF | 28 | 44,56 | 43,42 | Bm8 | 47 | 30 | 14,5 | 11 | 23 |
| | 30 5M 09 F | AF | 30 | 47,75 | 46,60 | Bm10 | 51 | 35 | 14,5 | 11 | 23 |
| | 32 5M 09 F | AF | 32 | 50,93 | 49,79 | Bm12 | 57 | 38 | 14,5 | 11 | 23 |
| | 36 5M 09 F | AF | 36 | 57,30 | 56,15 | Bm14 | 63 | 38 | 14,5 | 11 | 23 |
| | 40 5M 09 F | AF | 40 | 63,66 | 62,52 | Bm15 | 66 | 45 | 14,5 | 11 | 23 |
| Alum | 44 5M 09 | A | 44 | 70,03 | 68,89 | - | - | 45 | 14,5 | - | 26 |
| | 48 5M 09 | A | 48 | 76,39 | 75,25 | - | - | 45 | 14,5 | - | 26 |
| | 60 5M 09 | B | 60 | 95,49 | 94,35 | - | - | 45 | 14,5 | - | 26 |
| | 72 5M 09 | B | 72 | 114,59 | 113,45 | - | - | 47 | 14,5 | - | 26 |

HTD 5M 15 (passo 5 mm) per cinghia di larghezza 15 mm
HTD 5M 15 (5 mm pitch) for 15 mm width belt

| | Codice Code | Disegno Drawing | N° Denti Teeth | Dp | De | Flangia 1,0 Flange 1,0 | Df | Dm | B1 | B2 | L |
|------------------------|-------------|-----------------|----------------|--------|--------|------------------------|----|----|------|----|----|
| Acciaio / Steel | 12 5M 15 F | AF | 12 | 19,09 | 17,95 | Bm1 | 22 | 12 | 20,5 | 17 | 26 |
| | 14 5M 15 F | AF | 14 | 22,28 | 21,14 | Bm2 | 25 | 14 | 20,5 | 17 | 26 |
| | 15 5M 15 F | AF | 15 | 23,87 | 22,73 | Bm3 | 28 | 16 | 20,5 | 17 | 26 |
| | 16 5M 15 F | AF | 16 | 25,46 | 24,32 | Bm3 | 28 | 16 | 20,5 | 17 | 26 |
| | 18 5M 15 F | AF | 18 | 28,65 | 27,50 | Bm4 | 32 | 20 | 20,5 | 17 | 26 |
| | 20 5M 15 F | AF | 20 | 31,83 | 30,69 | Bm5 | 36 | 23 | 20,5 | 17 | 26 |
| | 21 5M 15 F | AF | 21 | 33,42 | 32,28 | Bm6 | 38 | 24 | 20,5 | 17 | 26 |
| | 22 5M 15 F | AF | 22 | 35,01 | 33,87 | Bm6 | 38 | 25 | 20,5 | 17 | 26 |
| | 24 5M 15 F | AF | 24 | 38,20 | 37,05 | Bm7 | 41 | 27 | 20,5 | 17 | 28 |
| | 26 5M 15 F | AF | 26 | 41,38 | 40,24 | Bm8 | 47 | 30 | 20,5 | 17 | 28 |
| | 28 5M 15 F | AF | 28 | 44,56 | 43,42 | Bm8 | 47 | 30 | 20,5 | 17 | 28 |
| | 30 5M 15 F | AF | 30 | 47,75 | 46,60 | Bm10 | 51 | 35 | 20,5 | 17 | 28 |
| | 32 5M 15 F | AF | 32 | 50,93 | 49,79 | Bm12 | 57 | 38 | 20,5 | 17 | 28 |
| | 36 5M 15 F | AF | 36 | 57,30 | 56,15 | Bm14 | 63 | 38 | 20,5 | 17 | 28 |
| | 40 5M 15 F | AF | 40 | 63,66 | 62,52 | Bm15 | 66 | 38 | 20,5 | 17 | 28 |
| Alum | 44 5M 15 | A | 44 | 70,03 | 68,89 | - | - | 38 | 20,5 | - | 30 |
| | 48 5M 15 | A | 48 | 76,39 | 75,25 | - | - | 40 | 20,5 | - | 30 |
| | 60 5M 15 | A | 60 | 95,49 | 94,35 | - | - | 50 | 20,5 | - | 30 |
| | 72 5M 15 | B | 72 | 114,59 | 113,45 | - | - | 50 | 20,5 | - | 30 |

HTD 5M 25 (passo 5 mm) per cinghia di larghezza 25 mm
HTD 5M 25 (5 mm pitch) for 25 mm width belt

| | Codice Code | Disegno Drawing | N° Denti Teeth | Dp | De | Flangia 1,0 Flange 1,0 | Df | Dm | B1 | B2 | L |
|------------------------|-------------|-----------------|----------------|--------|--------|------------------------|----|----|------|----|----|
| Acciaio / Steel | 12 5M 25 F | AF | 12 | 19,09 | 17,95 | Bm1 | 22 | 12 | 30,5 | 27 | 36 |
| | 14 5M 25 F | AF | 14 | 22,28 | 21,14 | Bm2 | 25 | 14 | 30,5 | 27 | 36 |
| | 15 5M 25 F | AF | 15 | 23,87 | 22,73 | Bm3 | 28 | 16 | 30,5 | 27 | 36 |
| | 16 5M 25 F | AF | 16 | 25,46 | 24,32 | Bm3 | 28 | 16 | 30,5 | 27 | 36 |
| | 18 5M 25 F | AF | 18 | 28,65 | 27,50 | Bm4 | 32 | 20 | 30,5 | 27 | 36 |
| | 20 5M 25 F | AF | 20 | 31,83 | 30,69 | Bm5 | 36 | 23 | 30,5 | 27 | 36 |
| | 21 5M 25 F | AF | 21 | 33,42 | 32,28 | Bm6 | 38 | 24 | 30,5 | 27 | 36 |
| | 22 5M 25 F | AF | 22 | 35,01 | 33,87 | Bm6 | 38 | 25 | 30,5 | 27 | 38 |
| | 24 5M 25 F | AF | 24 | 38,20 | 37,05 | Bm7 | 41 | 27 | 30,5 | 27 | 38 |
| | 26 5M 25 F | AF | 26 | 41,38 | 40,24 | Bm8 | 47 | 30 | 30,5 | 27 | 38 |
| | 28 5M 25 F | AF | 28 | 44,56 | 43,42 | Bm8 | 47 | 30 | 30,5 | 27 | 38 |
| | 30 5M 25 F | AF | 30 | 47,75 | 46,60 | Bm10 | 51 | 35 | 30,5 | 27 | 38 |
| | 32 5M 25 F | AF | 32 | 50,93 | 49,79 | Bm12 | 57 | 38 | 30,5 | 27 | 38 |
| | 36 5M 25 F | AF | 36 | 57,30 | 56,15 | Bm14 | 63 | 38 | 30,5 | 27 | 38 |
| | 40 5M 25 F | AF | 40 | 63,66 | 62,52 | Bm15 | 66 | 38 | 30,5 | 27 | 38 |
| Alum | 44 5M 25 | A | 44 | 70,03 | 68,89 | - | - | 38 | 30,5 | - | 38 |
| | 48 5M 25 | A | 48 | 76,39 | 75,25 | - | - | 40 | 30,5 | - | 40 |
| | 60 5M 25 | A | 60 | 95,49 | 94,35 | - | - | 50 | 30,5 | - | 40 |
| | 72 5M 25 | B | 72 | 114,59 | 113,45 | - | - | 50 | 30,5 | - | 40 |

"Df e Dm possono variare senza preavviso"

"Nelle forme costruttive gli scarichi di alleggerimento possono leggermente variare"

| HTD 8M 20 (passo 8 mm) per cinghia di larghezza 20 mm HTD 8M 20 (8 mm pitch) for 20 mm width belt | | | | | | | | | | | |
|--|-------------|-----------------|----------------|--------|--------|------------------------|-----|-----|----|----|----|
| | Codice Code | Disegno Drawing | N° Denti Teeth | Dp | De | Flangia 1,5 Flange 1,5 | Df | Dm | B1 | B2 | L |
| Acciaio / Steel | 22 8M 20 F | AF | 22 | 56,02 | 54,65 | Bm14 | 63 | 43 | 28 | 23 | 38 |
| | 24 8M 20 F | AF | 24 | 61,12 | 59,75 | Bm15 | 66 | 45 | 28 | 23 | 38 |
| | 26 8M 20 F | AF | 26 | 66,21 | 64,84 | Bm16 | 72 | 50 | 28 | 23 | 38 |
| | 28 8M 20 F | AF | 28 | 71,30 | 70,08 | Bm18 | 80 | 58 | 28 | 23 | 38 |
| | 30 8M 20 F | AF | 30 | 76,39 | 75,13 | Bm19 | 83 | 60 | 28 | 23 | 38 |
| | 32 8M 20 F | AF | 32 | 81,49 | 80,16 | Bm20 | 87 | 65 | 28 | 23 | 38 |
| | 34 8M 20 F | AF | 34 | 86,58 | 85,22 | Bm22 | 93 | 70 | 28 | 23 | 38 |
| | 36 8M 20 F | AF | 36 | 91,67 | 90,30 | Bm23 | 97 | 75 | 28 | 23 | 38 |
| | 38 8M 20 F | AF | 38 | 96,77 | 95,39 | Bm24 | 105 | 80 | 28 | 23 | 38 |
| | 40 8M 20 F | AF | 40 | 101,86 | 100,49 | Bm25 | 106 | 85 | 28 | 23 | 38 |
| Ghisa / Cast Iron | 44 8M 20 F | AF | 44 | 112,05 | 110,67 | Bm27 | 118 | 95 | 28 | 23 | 38 |
| | 48 8M 20 F | AF | 48 | 122,23 | 120,86 | Bm29 | 127 | 95 | 28 | 23 | 38 |
| | 56 8M 20 F | AF | 56 | 142,60 | 141,23 | Bm36 | 152 | 115 | 28 | 23 | 38 |
| | 64 8M 20 F | BF | 64 | 162,97 | 161,60 | Bm38 | 168 | 90 | 28 | 23 | 40 |
| | 72 8M 20 F | BF | 72 | 183,35 | 181,97 | Bm41 | 194 | 95 | 28 | 23 | 40 |
| | 80 8M 20 | B | 80 | 203,72 | 202,35 | - | - | 100 | 28 | - | 40 |
| | 90 8M 20 | B | 90 | 229,18 | 227,81 | - | - | 100 | 28 | - | 40 |
| | 112 8M 20 | C | 112 | 285,21 | 283,83 | - | - | 100 | 28 | - | 40 |
| | 144 8M 20 | C | 144 | 366,69 | 365,32 | - | - | 100 | 28 | - | 40 |
| | 168 8M 20 | C | 168 | 427,81 | 426,44 | - | - | 100 | 28 | - | 40 |
| | 192 8M 20 | C | 192 | 488,92 | 487,55 | - | - | 100 | 28 | - | 40 |

| HTD 8M 30 (passo 8 mm) per cinghia di larghezza 30 mm HTD 8M 30 (8 mm pitch) for 30 mm width belt | | | | | | | | | | | |
|--|-------------|-----------------|----------------|--------|--------|------------------------|-----|-----|----|----|----|
| | Codice Code | Disegno Drawing | N° Denti Teeth | Dp | De | Flangia 1,5 Flange 1,5 | Df | Dm | B1 | B2 | L |
| Acciaio / Steel | 22 8M 30 F | AF | 22 | 56,02 | 54,65 | Bm14 | 63 | 43 | 38 | 33 | 48 |
| | 24 8M 30 F | AF | 24 | 61,12 | 59,75 | Bm15 | 66 | 45 | 38 | 33 | 48 |
| | 26 8M 30 F | AF | 26 | 66,21 | 64,84 | Bm16 | 72 | 50 | 38 | 33 | 48 |
| | 28 8M 30 F | AF | 28 | 71,30 | 70,08 | Bm18 | 80 | 58 | 38 | 33 | 48 |
| | 30 8M 30 F | AF | 30 | 76,39 | 75,13 | Bm19 | 83 | 60 | 38 | 33 | 48 |
| | 32 8M 30 F | AF | 32 | 81,49 | 80,16 | Bm20 | 87 | 65 | 38 | 33 | 48 |
| | 34 8M 30 F | AF | 34 | 86,58 | 85,22 | Bm22 | 93 | 70 | 38 | 33 | 48 |
| | 36 8M 30 F | AF | 36 | 91,67 | 90,30 | Bm23 | 97 | 75 | 38 | 33 | 48 |
| | 38 8M 30 F | AF | 38 | 96,77 | 95,39 | Bm24 | 105 | 80 | 38 | 33 | 48 |
| | 40 8M 30 F | AF | 40 | 101,86 | 100,49 | Bm25 | 106 | 85 | 38 | 33 | 48 |
| Ghisa / Cast Iron | 44 8M 30 F | AF | 44 | 112,05 | 110,67 | Bm27 | 118 | 95 | 38 | 33 | 48 |
| | 48 8M 30 F | AF | 48 | 122,23 | 120,86 | Bm29 | 127 | 95 | 38 | 33 | 48 |
| | 56 8M 30 F | AF | 56 | 142,60 | 141,23 | Bm36 | 152 | 115 | 38 | 33 | 48 |
| | 64 8M 30 F | BF | 64 | 162,97 | 161,60 | Bm38 | 168 | 90 | 38 | 33 | 50 |
| | 72 8M 30 F | BF | 72 | 183,35 | 181,97 | Bm41 | 194 | 95 | 38 | 33 | 50 |
| | 80 8M 30 | B | 80 | 203,72 | 202,35 | - | - | 100 | 38 | - | 50 |
| | 90 8M 30 | B | 90 | 229,18 | 227,81 | - | - | 100 | 38 | - | 50 |
| | 112 8M 30 | C | 112 | 285,21 | 283,83 | - | - | 100 | 38 | - | 50 |
| | 144 8M 30 | C | 144 | 366,69 | 365,32 | - | - | 100 | 38 | - | 50 |
| | 168 8M 30 | C | 168 | 427,81 | 426,44 | - | - | 100 | 38 | - | 50 |
| | 192 8M 30 | C | 192 | 488,92 | 487,55 | - | - | 100 | 38 | - | 50 |

"Df e Dm possono variare senza preavviso"

"Nelle forme costruttive gli scarichi di alleggerimento possono leggermente variare"

| HTD 8M 50 (passo 8 mm) per cinghia di larghezza 50 mm HTD 8M 50 (8 mm pitch) for 50 mm width belt | | | | | | | | | | | |
|--|-------------|-----------------|----------------|--------|--------|------------------------|-----|-----|----|----|----|
| | Codice Code | Disegno Drawing | N° Denti Teeth | Dp | De | Flangia 1,5 Flange 1,5 | Df | Dm | B1 | B2 | L |
| Acciaio / Steel | 22 8M 50 F | AF | 22 | 56,02 | 54,65 | Bm14 | 63 | 43 | 60 | 55 | 70 |
| | 24 8M 50 F | AF | 24 | 61,12 | 59,75 | Bm15 | 66 | 45 | 60 | 55 | 70 |
| | 26 8M 50 F | AF | 26 | 66,21 | 64,84 | Bm16 | 72 | 50 | 60 | 55 | 70 |
| | 28 8M 50 F | AF | 28 | 71,30 | 70,08 | Bm18 | 80 | 58 | 60 | 55 | 70 |
| | 30 8M 50 F | AF | 30 | 76,39 | 75,13 | Bm19 | 83 | 60 | 60 | 55 | 70 |
| | 32 8M 50 F | AF | 32 | 81,49 | 80,16 | Bm20 | 87 | 65 | 60 | 55 | 70 |
| | 34 8M 50 F | AF | 34 | 86,58 | 85,22 | Bm22 | 93 | 70 | 60 | 55 | 70 |
| | 36 8M 50 F | AF | 36 | 91,67 | 90,30 | Bm23 | 97 | 75 | 60 | 55 | 70 |
| | 38 8M 50 F | AF | 38 | 96,77 | 95,39 | Bm24 | 105 | 80 | 60 | 55 | 70 |
| | 40 8M 50 F | AF | 40 | 101,86 | 100,49 | Bm25 | 106 | 85 | 60 | 55 | 70 |
| Ghisa / Cast Iron | 44 8M 50 F | AF | 44 | 112,05 | 110,67 | Bm27 | 118 | 95 | 60 | 55 | 70 |
| | 48 8M 50 F | AF | 48 | 122,23 | 120,86 | Bm29 | 127 | 95 | 60 | 55 | 70 |
| | 56 8M 50 F | AF | 56 | 142,60 | 141,23 | Bm36 | 152 | 95 | 60 | 55 | 70 |
| | 64 8M 50 F | SBF | 64 | 162,97 | 161,60 | Bm38 | 168 | 100 | 60 | 55 | 60 |
| | 72 8M 50 F | SBF | 72 | 183,35 | 181,97 | Bm41 | 194 | 100 | 60 | 55 | 60 |
| | 80 8M 50 | SB | 80 | 203,72 | 202,35 | - | - | 110 | 60 | - | 60 |
| | 90 8M 50 | SB | 90 | 229,18 | 227,81 | - | - | 110 | 60 | - | 60 |
| | 112 8M 50 | SC | 112 | 285,21 | 283,83 | - | - | 110 | 60 | - | 60 |
| | 144 8M 50 | SC | 144 | 366,69 | 365,32 | - | - | 120 | 60 | - | 60 |
| | 168 8M 50 | SC | 168 | 427,81 | 426,44 | - | - | 120 | 60 | - | 60 |
| | 192 8M 50 | SC | 192 | 488,92 | 487,55 | - | - | 130 | 60 | - | 60 |

| HTD 8M 85 (passo 8 mm) per cinghia di larghezza 85 mm HTD 8M 85 (8 mm pitch) for 85 mm width belt | | | | | | | | | | | |
|--|-------------|-----------------|----------------|--------|--------|------------------------|-----|-----|----|----|-----|
| | Codice Code | Disegno Drawing | N° Denti Teeth | Dp | De | Flangia 1,5 Flange 1,5 | Df | Dm | B1 | B2 | L |
| Acciaio / Steel | 22 8M 85 F | AF | 22 | 56,02 | 54,65 | Bm14 | 63 | 43 | 95 | 90 | 105 |
| | 24 8M 85 F | AF | 24 | 61,12 | 59,75 | Bm15 | 66 | 45 | 95 | 90 | 105 |
| | 26 8M 85 F | AF | 26 | 66,21 | 64,84 | Bm16 | 72 | 50 | 95 | 90 | 105 |
| | 28 8M 85 F | AF | 28 | 71,30 | 70,08 | Bm18 | 80 | 58 | 95 | 90 | 105 |
| | 30 8M 85 F | AF | 30 | 76,39 | 75,13 | Bm19 | 83 | 60 | 95 | 90 | 105 |
| | 32 8M 85 F | AF | 32 | 81,49 | 80,16 | Bm20 | 87 | 65 | 95 | 90 | 105 |
| | 34 8M 85 F | AF | 34 | 86,58 | 85,22 | Bm22 | 93 | 70 | 95 | 90 | 105 |
| | 36 8M 85 F | AF | 36 | 91,67 | 90,30 | Bm23 | 97 | 75 | 95 | 90 | 105 |
| | 38 8M 85 F | AF | 38 | 96,77 | 95,39 | Bm24 | 105 | 80 | 95 | 90 | 105 |
| | 40 8M 85 F | AF | 40 | 101,86 | 100,49 | Bm25 | 106 | 85 | 95 | 90 | 105 |
| Ghisa / Cast Iron | 44 8M 85 F | AF | 44 | 112,05 | 110,67 | Bm27 | 118 | 95 | 95 | 90 | 105 |
| | 48 8M 85 F | AF | 48 | 122,23 | 120,86 | Bm29 | 127 | 95 | 95 | 90 | 105 |
| | 56 8M 85 F | AF | 56 | 142,60 | 141,23 | Bm36 | 152 | 95 | 95 | 90 | 105 |
| | 64 8M 85 F | SBF | 64 | 162,97 | 161,60 | Bm38 | 168 | 100 | 95 | 90 | 95 |
| | 72 8M 85 F | SBF | 72 | 183,35 | 181,97 | Bm41 | 194 | 100 | 95 | 90 | 95 |
| | 80 8M 85 | SB | 80 | 203,72 | 202,35 | - | - | 110 | 95 | - | 95 |
| | 90 8M 85 | SB | 90 | 229,18 | 227,81 | - | - | 110 | 95 | - | 95 |
| | 112 8M 85 | SC | 112 | 285,21 | 283,83 | - | - | 110 | 95 | - | 95 |
| | 144 8M 85 | SC | 144 | 366,69 | 365,32 | - | - | 120 | 95 | - | 95 |
| | 168 8M 85 | SC | 168 | 427,81 | 426,44 | - | - | 120 | 95 | - | 95 |
| | 192 8M 85 | SC | 192 | 488,92 | 487,55 | - | - | 130 | 95 | - | 95 |

"Df e Dm possono variare senza preavviso"

"Nelle forme costruttive gli scarichi di alleggerimento possono leggermente variare"



HTD 14M 40 (passo 14 mm) per cinghia di larghezza 40 mm HT D 14M 40 (14 mm pitch) for 40 mm width belt

| Ghisa / Cast Iron | Codice Code | Disegno Drawing | N° Denti Teeth | Dp | De | Flangia 2,5 Flange 2,5 | Df | Dm | B1 | B2 | L |
|-------------------|-------------|-----------------|----------------|--------|--------|------------------------|-----|-----|----|----|----|
| | 28 14M 40 F | AF | 28 | 124,78 | 121,98 | Bm43 | 136 | 85 | 54 | 46 | 69 |
| | 29 14M 40 F | AF | 29 | 129,23 | 126,44 | Bm44 | 140 | 100 | 54 | 46 | 69 |
| | 30 14M 40 F | AF | 30 | 133,69 | 130,90 | Bm45 | 145 | 100 | 54 | 46 | 69 |
| | 32 14M 40 F | AF | 32 | 142,60 | 139,81 | Bm46 | 155 | 100 | 54 | 46 | 69 |
| | 34 14M 40 F | AF | 34 | 151,51 | 148,72 | Bm47 | 162 | 110 | 54 | 46 | 69 |
| | 36 14M 40 F | AF | 36 | 160,43 | 157,68 | Bm49 | 176 | 115 | 54 | 46 | 69 |
| | 38 14M 40 F | AF | 38 | 169,34 | 166,60 | Bm50 | 182 | 125 | 54 | 46 | 69 |
| | 40 14M 40 F | AF | 40 | 178,25 | 175,49 | Bm51 | 191 | 135 | 54 | 46 | 69 |
| | 44 14M 40 F | AF | 44 | 196,08 | 193,28 | Bm55 | 210 | 155 | 54 | 46 | 69 |
| | 48 14M 40 F | AF | 48 | 213,90 | 211,11 | Bm57 | 225 | 170 | 54 | 46 | 69 |
| | 56 14M 40 F | BF | 56 | 249,55 | 246,76 | Bm61 | 255 | 135 | 54 | 46 | 69 |
| 64 14M 40 F | BF | 64 | 285,21 | 282,41 | Bm63 | 290 | 135 | 54 | 46 | 69 | |
| 72 14M 40 F | BF | 72 | 320,86 | 318,06 | Bm69 | 335 | 135 | 54 | 46 | 69 | |
| 80 14M 40 F | BF | 80 | 356,51 | 353,71 | Bm110 | 370 | 135 | 54 | 46 | 69 | |
| 90 14M 40 | C | 90 | 401,07 | 398,28 | - | - | 135 | 54 | - | 69 | |
| 112 14M 40 | C | 112 | 499,11 | 496,32 | - | - | 135 | 54 | - | 69 | |
| 144 14M 40 | C | 144 | 641,71 | 638,92 | - | - | 135 | 54 | - | 69 | |
| 168 14M 40 | C | 168 | 748,66 | 745,87 | - | - | 135 | 54 | - | 69 | |
| 192 14M 40 | C | 192 | 855,62 | 852,82 | - | - | 135 | 54 | - | 69 | |
| 216 14M 40 | C | 216 | 962,57 | 959,76 | - | - | 150 | 54 | - | 69 | |

HTD 14M 55 (passo 14 mm) per cinghia di larghezza 55 mm HT D 14M 55 (14 mm pitch) for 55 mm width belt

| Ghisa / Cast Iron | Codice Code | Disegno Drawing | N° Denti Teeth | Dp | De | Flangia 2,5 Flange 2,5 | Df | Dm | B1 | B2 | L |
|-------------------|-------------|-----------------|----------------|--------|--------|------------------------|-----|-----|----|----|----|
| | 28 14M 55 F | AF | 28 | 124,78 | 121,98 | Bm43 | 136 | 85 | 70 | 62 | 85 |
| | 29 14M 55 F | AF | 29 | 129,23 | 126,44 | Bm44 | 140 | 100 | 70 | 62 | 85 |
| | 30 14M 55 F | AF | 30 | 133,69 | 130,90 | Bm45 | 145 | 100 | 70 | 62 | 85 |
| | 32 14M 55 F | AF | 32 | 142,60 | 139,81 | Bm46 | 155 | 100 | 70 | 62 | 85 |
| | 34 14M 55 F | AF | 34 | 151,51 | 148,72 | Bm47 | 162 | 110 | 70 | 62 | 85 |
| | 36 14M 55 F | AF | 36 | 160,43 | 157,68 | Bm49 | 176 | 115 | 70 | 62 | 85 |
| | 38 14M 55 F | AF | 38 | 169,34 | 166,60 | Bm50 | 182 | 125 | 70 | 62 | 85 |
| | 40 14M 55 F | AF | 40 | 178,25 | 175,49 | Bm51 | 191 | 135 | 70 | 62 | 85 |
| | 44 14M 55 F | AF | 44 | 196,08 | 193,28 | Bm55 | 210 | 155 | 70 | 62 | 85 |
| | 48 14M 55 F | SBF | 48 | 213,90 | 211,11 | Bm57 | 225 | 135 | 70 | 62 | 70 |
| | 56 14M 55 F | SBF | 56 | 249,55 | 246,76 | Bm61 | 255 | 135 | 70 | 62 | 70 |
| 64 14M 55 F | SBF | 64 | 285,21 | 282,41 | Bm63 | 290 | 135 | 70 | 62 | 70 | |
| 72 14M 55 | SC | 72 | 320,86 | 318,06 | - | - | 135 | 70 | - | 70 | |
| 80 14M 55 | SC | 80 | 356,51 | 353,71 | - | - | 135 | 70 | - | 70 | |
| 90 14M 55 | SC | 90 | 401,07 | 398,28 | - | - | 135 | 70 | - | 70 | |
| 112 14M 55 | SC | 112 | 499,11 | 496,32 | - | - | 135 | 70 | - | 70 | |
| 144 14M 55 | SC | 144 | 641,71 | 638,92 | - | - | 135 | 70 | - | 70 | |
| 168 14M 55 | SC | 168 | 748,66 | 745,87 | - | - | 135 | 70 | - | 70 | |
| 192 14M 55 | SC | 192 | 855,62 | 852,82 | - | - | 135 | 70 | - | 70 | |
| 216 14M 55 | SC | 216 | 962,57 | 959,76 | - | - | 150 | 70 | - | 70 | |

"Df e Dm possono variare senza preavviso"

"Nelle forme costruttive gli scarichi di alleggerimento possono leggermente variare"

**HTD 14M 85 (passo 14 mm) per cinghia di larghezza 85 mm
HT D 14M 85 (14 mm pitch) for 85 mm width belt**

| Ghisa / Cast Iron | Codice Code | Disegno Drawing | N° Denti Teeth | Dp | De | Flangia 2,5 Flange 2,5 | Df | Dm | B1 | B2 | L |
|-------------------|-------------|-----------------|----------------|--------|--------|------------------------|-----|-----|-----|-----|-----|
| | 28 14M 85 F | AF | 28 | 124,78 | 121,98 | Bm43 | 136 | 85 | 102 | 94 | 117 |
| | 29 14M 85 F | AF | 29 | 129,23 | 126,44 | Bm44 | 140 | 100 | 102 | 94 | 117 |
| | 30 14M 85 F | AF | 30 | 133,69 | 130,90 | Bm45 | 145 | 100 | 102 | 94 | 117 |
| | 32 14M 85 F | AF | 32 | 142,60 | 139,81 | Bm46 | 155 | 100 | 102 | 94 | 117 |
| | 34 14M 85 F | AF | 34 | 151,51 | 148,72 | Bm47 | 162 | 110 | 102 | 94 | 117 |
| | 36 14M 85 F | AF | 36 | 160,43 | 157,68 | Bm49 | 176 | 115 | 102 | 94 | 117 |
| | 38 14M 85 F | AF | 38 | 169,34 | 166,60 | Bm50 | 182 | 125 | 102 | 94 | 117 |
| | 40 14M 85 F | AF | 40 | 178,25 | 175,49 | Bm51 | 191 | 135 | 102 | 94 | 117 |
| | 44 14M 85 F | AF | 44 | 196,08 | 193,28 | Bm55 | 210 | 155 | 102 | 94 | 117 |
| | 48 14M 85 F | AF | 48 | 213,90 | 211,11 | Bm57 | 225 | 170 | 102 | 94 | 117 |
| | 56 14M 85 F | SBF | 56 | 249,55 | 246,76 | Bm61 | 255 | 150 | 102 | 94 | 102 |
| 64 14M 85 F | SBF | 64 | 285,21 | 282,41 | Bm63 | 290 | 150 | 102 | 94 | 102 | |
| 72 14M 85 | SB | 72 | 320,86 | 318,06 | - | - | 150 | 102 | - | 102 | |
| 80 14M 85 | SC | 80 | 356,51 | 353,71 | - | - | 150 | 102 | - | 102 | |
| 90 14M 85 | SC | 90 | 401,07 | 398,28 | - | - | 150 | 102 | - | 102 | |
| 112 14M 85 | SC | 112 | 499,11 | 496,32 | - | - | 150 | 102 | - | 102 | |
| 144 14M 85 | SC | 144 | 641,71 | 638,92 | - | - | 150 | 102 | - | 102 | |
| 168 14M 85 | SC | 168 | 748,66 | 745,87 | - | - | 150 | 102 | - | 102 | |
| 192 14M 85 | SC | 192 | 855,62 | 852,82 | - | - | 165 | 102 | - | 102 | |
| 216 14M 85 | SC | 216 | 962,57 | 959,76 | - | - | 160 | 102 | - | 102 | |

**HTD 14M 115 (passo 14 mm) per cinghia di larghezza 115 mm
HTD 14M 115 (14 mm pitch) for 115 mm width belt**

| Ghisa / Cast Iron | Codice Code | Disegno Drawing | N° Denti Teeth | Dp | De | Flangia 2,5 Flange 2,5 | Df | Dm | B1 | B2 | L |
|-------------------|--------------|-----------------|----------------|--------|--------|------------------------|-----|-----|-----|-----|-----|
| | 28 14M 115 F | AF | 28 | 124,78 | 121,98 | Bm43 | 136 | 85 | 133 | 125 | 148 |
| | 29 14M 115 F | AF | 29 | 129,23 | 126,44 | Bm44 | 140 | 100 | 133 | 125 | 148 |
| | 30 14M 115 F | AF | 30 | 133,69 | 130,90 | Bm45 | 145 | 100 | 133 | 125 | 148 |
| | 32 14M 115 F | AF | 32 | 142,60 | 139,81 | Bm46 | 155 | 100 | 133 | 125 | 148 |
| | 34 14M 115 F | AF | 34 | 151,51 | 148,72 | Bm47 | 162 | 110 | 133 | 125 | 148 |
| | 36 14M 115 F | AF | 36 | 160,43 | 157,68 | Bm49 | 176 | 115 | 133 | 125 | 148 |
| | 38 14M 115 F | AF | 38 | 169,34 | 166,60 | Bm50 | 182 | 125 | 133 | 125 | 148 |
| | 40 14M 115 F | AF | 40 | 178,25 | 175,49 | Bm51 | 191 | 135 | 133 | 125 | 148 |
| | 44 14M 115 F | AF | 44 | 196,08 | 193,28 | Bm55 | 210 | 155 | 133 | 125 | 148 |
| | 48 14M 115 F | AF | 48 | 213,90 | 211,11 | Bm57 | 225 | 170 | 133 | 125 | 148 |
| | 56 14M 115 F | AF | 56 | 249,55 | 246,76 | Bm61 | 255 | 150 | 133 | 125 | 148 |
| 64 14M 115 F | SBF | 64 | 285,21 | 282,41 | Bm63 | 290 | 150 | 133 | 125 | 133 | |
| 72 14M 115 F | SC | 72 | 320,86 | 318,06 | - | - | 150 | 133 | - | 133 | |
| 80 14M 115 | SC | 80 | 356,51 | 353,71 | - | - | 150 | 133 | - | 133 | |
| 90 14M 115 | SC | 90 | 401,07 | 398,28 | - | - | 150 | 133 | - | 133 | |
| 112 14M 115 | SC | 112 | 499,11 | 496,32 | - | - | 150 | 133 | - | 133 | |
| 144 14M 115 | SC | 144 | 641,71 | 638,92 | - | - | 150 | 133 | - | 133 | |
| 168 14M 115 | SC | 168 | 748,66 | 745,87 | - | - | 150 | 133 | - | 133 | |
| 192 14M 115 | SC | 192 | 855,62 | 852,82 | - | - | 150 | 133 | - | 133 | |
| 216 14M 115 | SC | 216 | 962,57 | 959,76 | - | - | 150 | 133 | - | 133 | |

"Df e Dm possono variare senza preavviso"

"Nelle forme costruttive gli scarichi di alleggerimento possono leggermente variare"



HTD 14M 170 (pass o 14 mm) per cing hia di larghezza 170 mm
HTD 14M 170 (14 mm pitch) for 170 mm width belt

| Ghisa / Cast Iron | Codice Code | Disegno Drawing | N° Denti Teeth | Dp | De | Flangia 2,5 Flange 2,5 | Df | Dm | B1 | B2 | L |
|-------------------|--------------|-----------------|----------------|--------|--------|------------------------|-----|-----|-----|-----|-----|
| | 28 14M 170 F | AF | 28 | 124,78 | 121,98 | Bm43 | 136 | 85 | 187 | 179 | 202 |
| | 29 14M 170 F | AF | 29 | 129,23 | 126,44 | Bm44 | 140 | 100 | 187 | 179 | 202 |
| | 30 14M 170 F | AF | 30 | 133,69 | 130,90 | Bm45 | 145 | 100 | 187 | 179 | 202 |
| | 32 14M 170 F | AF | 32 | 142,60 | 139,81 | Bm46 | 155 | 100 | 187 | 179 | 202 |
| | 34 14M 170 F | AF | 34 | 151,51 | 148,72 | Bm47 | 162 | 110 | 187 | 179 | 202 |
| | 36 14M 170 F | AF | 36 | 160,43 | 157,68 | Bm49 | 176 | 115 | 187 | 179 | 202 |
| | 38 14M 170 F | AF | 38 | 169,34 | 166,60 | Bm50 | 182 | 125 | 187 | 179 | 202 |
| | 40 14M 170 F | AF | 40 | 178,25 | 175,49 | Bm51 | 191 | 135 | 187 | 179 | 202 |
| | 44 14M 170 F | AF | 44 | 196,08 | 193,28 | Bm55 | 210 | 155 | 187 | 179 | 202 |
| | 48 14M 170 F | AF | 48 | 213,90 | 211,11 | Bm57 | 225 | 170 | 187 | 179 | 202 |
| | 56 14M 170 F | AF | 56 | 249,55 | 246,76 | Bm61 | 255 | 150 | 187 | 179 | 202 |
| | 64 14M 170 F | AF | 64 | 285,21 | 282,41 | Bm63 | 290 | 150 | 187 | 179 | 202 |
| | 72 14M 170 | SB | 72 | 320,86 | 318,06 | - | - | 150 | 187 | - | 187 |
| | 80 14M 170 | SB | 80 | 356,51 | 353,71 | - | - | 150 | 187 | - | 187 |
| | 90 14M 170 | SC | 90 | 401,07 | 398,28 | - | - | 150 | 187 | - | 187 |
| | 112 14M 170 | SC | 112 | 499,11 | 496,32 | - | - | 150 | 187 | - | 187 |
| | 144 14M 170 | SC | 144 | 641,71 | 638,92 | - | - | 150 | 187 | - | 187 |
| | 168 14M 170 | SC | 168 | 748,66 | 745,87 | - | - | 150 | 187 | - | 187 |
| | 192 14M 170 | SC | 192 | 855,62 | 852,82 | - | - | 165 | 187 | - | 187 |
| 216 14M 170 | SC | 216 | 962,57 | 959,76 | - | - | 160 | 187 | - | 187 | |

"Df e Dm possono variare senza preavviso"

"Nelle forme costruttive gli scarichi di alleggerimento possono leggermente variare"

HTD 8M 20 (passo 8 mm) per cinghia di larghezza 20 mm
HTD 8M 20 (8 mm pitch) for 20 mm width belt

| | Codice Code | Disegno Drawing | N° Denti Teeth | Dp | De | Flangia 1,5 Flange 1,5 | Df | Dm | B1 | B2 | L | Bussola Taper bush |
|-------------------|-------------|-----------------|----------------|--------|--------|------------------------|-----|-----|----|----|----|--------------------|
| Acciaio / Steel | T22 8M 20 F | 5F | 22 | 56,02 | 54,65 | Bm14 | 63 | - | 28 | 23 | 22 | 1008 |
| | T24 8M 20 F | 5F | 24 | 61,12 | 59,75 | Bm15 | 66 | - | 28 | 23 | 22 | 1108 |
| | T26 8M 20 F | 5F | 26 | 66,21 | 64,84 | Bm16 | 72 | - | 28 | 23 | 22 | 1108 |
| | T28 8M 20 F | 5F | 28 | 71,30 | 70,08 | Bm18 | 80 | - | 28 | 23 | 22 | 1108 |
| | T30 8M 20 F | 5F | 30 | 76,39 | 75,13 | Bm19 | 83 | - | 28 | 23 | 22 | 1108 |
| | T32 8M 20 F | 5F | 32 | 81,49 | 80,16 | Bm20 | 87 | - | 28 | 23 | 25 | 1610 |
| | T34 8M 20 F | 5F | 34 | 86,58 | 85,22 | Bm22 | 93 | - | 28 | 23 | 25 | 1610 |
| | T36 8M 20 F | 5F | 36 | 91,67 | 90,30 | Bm23 | 97 | - | 28 | 23 | 25 | 1610 |
| | T38 8M 20 F | 5F | 38 | 96,77 | 95,39 | Bm24 | 105 | - | 28 | 23 | 25 | 1610 |
| | T40 8M 20 F | 5F | 40 | 101,86 | 100,49 | Bm25 | 106 | - | 28 | 23 | 25 | 1610 |
| Ghisa / Cast Iron | T44 8M 20 F | 8F | 44 | 112,05 | 110,67 | Bm28 | 121 | 87 | 28 | 23 | 32 | 2012 |
| | T48 8M 20 F | 8F | 48 | 122,23 | 120,86 | Bm29 | 127 | 95 | 28 | 23 | 32 | 2012 |
| | T56 8M 20 F | 8F | 56 | 142,60 | 141,23 | Bm36 | 152 | 105 | 28 | 23 | 32 | 2012 |
| | T64 8M 20 F | 8F | 64 | 162,97 | 161,60 | Bm38 | 168 | 105 | 28 | 23 | 32 | 2012 |
| | T72 8M 20 F | 8WF | 72 | 183,35 | 181,97 | Bm41 | 194 | 105 | 28 | 23 | 32 | 2012 |
| | T80 8M 20 | 8W | 80 | 203,72 | 202,35 | - | - | 105 | 28 | - | 32 | 2012 |
| | T90 8M 20 | 8W | 90 | 229,18 | 227,81 | - | - | 105 | 28 | - | 32 | 2012 |

HTD 8M 30 (passo 8 mm) per cinghia di larghezza 30 mm
HTD 8M 30 (8 mm pitch) for 30 mm width belt

| | Codice Code | Disegno Drawing | N° Denti Teeth | Dp | De | Flangia 1,5 Flange 1,5 | Df | Dm | B1 | B2 | L | Bussola Taper bush |
|-------------------|-------------|-----------------|----------------|--------|--------|------------------------|-----|-----|----|----|----|--------------------|
| Acciaio / Steel | T22 8M 30 F | 5F | 22 | 56,02 | 54,65 | Bm14 | 63 | - | 38 | 33 | 22 | 1008 |
| | T24 8M 30 F | 5F | 24 | 61,12 | 59,75 | Bm15 | 66 | - | 38 | 33 | 22 | 1108 |
| | T26 8M 30 F | 5F | 26 | 66,21 | 64,84 | Bm16 | 72 | - | 38 | 33 | 22 | 1108 |
| | T28 8M 30 F | 5F | 28 | 71,30 | 70,08 | Bm18 | 80 | - | 38 | 33 | 22 | 1108 |
| | T30 8M 30 F | 3F | 30 | 76,39 | 75,13 | Bm19 | 83 | - | 38 | 33 | 38 | 1615 |
| | T32 8M 30 F | 3F | 32 | 81,49 | 80,16 | Bm20 | 87 | - | 38 | 33 | 38 | 1615 |
| | T34 8M 30 F | 3F | 34 | 86,58 | 85,22 | Bm22 | 93 | - | 38 | 33 | 38 | 1615 |
| | T36 8M 30 F | 3F | 36 | 91,67 | 90,30 | Bm23 | 97 | - | 38 | 33 | 38 | 1615 |
| | T38 8M 30 F | 3F | 38 | 96,77 | 95,39 | Bm24 | 105 | - | 38 | 33 | 38 | 1615 |
| | T40 8M 30 F | 3F | 40 | 101,86 | 100,49 | Bm25 | 106 | - | 38 | 33 | 38 | 1615 |
| Ghisa / Cast Iron | T44 8M 30 F | 4F | 44 | 112,05 | 110,67 | Bm28 | 121 | - | 38 | 33 | 32 | 2012 |
| | T48 8M 30 F | 4F | 48 | 122,23 | 120,86 | Bm29 | 127 | - | 38 | 33 | 32 | 2012 |
| | T56 8M 30 F | 4F | 56 | 142,60 | 141,23 | Bm36 | 152 | - | 38 | 33 | 32 | 2012 |
| | T64 8M 30 F | 8F | 64 | 162,97 | 161,60 | Bm38 | 168 | 130 | 38 | 33 | 45 | 2517 |
| | T72 8M 30 F | 8WF | 72 | 183,35 | 181,97 | Bm41 | 194 | 120 | 38 | 33 | 45 | 2517 |
| | T80 8M 30 | 8W | 80 | 203,72 | 202,35 | - | - | 120 | 38 | - | 45 | 2517 |
| | T90 8M 30 | 8W | 90 | 229,18 | 227,81 | - | - | 120 | 38 | - | 45 | 2517 |
| | T112 8M 30 | 8A | 112 | 285,21 | 283,83 | - | - | 120 | 38 | - | 45 | 2517 |
| | T144 8M 30 | 8A | 144 | 366,69 | 365,32 | - | - | 120 | 38 | - | 45 | 2517 |

HTD 8M 50 (passo 8 mm) per cinghia di larghezza 50 mm
HTD 8M 50 (8 mm pitch) for 50 mm width belt

| | Codice Code | Disegno Drawing | N° Denti Teeth | Dp | De | Flangia 1,5 Flange 1,5 | Df | Dm | B1 | B2 | L | Bussola Taper bush |
|-------------------|-------------|-----------------|----------------|--------|--------|------------------------|-----|-----|----|----|----|--------------------|
| Acciaio / Steel | T28 8M 50 F | 4F | 28 | 71,30 | 70,08 | Bm18 | 80 | - | 60 | 55 | 22 | 1108 |
| | T30 8M 50 F | 5F | 30 | 76,39 | 75,13 | Bm19 | 83 | - | 60 | 55 | 38 | 1615 |
| | T32 8M 50 F | 5F | 32 | 81,49 | 80,16 | Bm20 | 87 | - | 60 | 55 | 38 | 1615 |
| | T34 8M 50 F | 5F | 34 | 86,58 | 85,22 | Bm22 | 93 | - | 60 | 55 | 38 | 1615 |
| | T36 8M 50 F | 5F | 36 | 91,67 | 90,30 | Bm23 | 97 | - | 60 | 55 | 38 | 1615 |
| | T38 8M 50 F | 5F | 38 | 96,77 | 95,39 | Bm24 | 105 | - | 60 | 55 | 38 | 1615 |
| | T40 8M 50 F | 4F | 40 | 101,86 | 100,49 | Bm25 | 106 | - | 60 | 55 | 32 | 2012 |
| | T44 8M 50 F | 4F | 44 | 112,05 | 110,67 | Bm28 | 121 | - | 60 | 55 | 32 | 2012 |
| | T48 8M 50 F | 4F | 48 | 122,23 | 120,86 | Bm29 | 127 | - | 60 | 55 | 32 | 2012 |
| | T56 8M 50 F | 4F | 56 | 142,60 | 141,23 | Bm36 | 152 | - | 60 | 55 | 45 | 2517 |
| Ghisa / Cast Iron | T64 8M 50 F | 4F | 64 | 162,97 | 161,60 | Bm38 | 168 | - | 60 | 55 | 45 | 2517 |
| | T72 8M 50 F | 9WF | 72 | 183,35 | 181,97 | Bm41 | 194 | 120 | 60 | 55 | 45 | 2517 |
| | T80 8M 50 | 9W | 80 | 203,72 | 202,35 | - | - | 145 | 60 | - | 51 | 3020 |
| | T90 8M 50 | 9W | 90 | 229,18 | 227,81 | - | - | 145 | 60 | - | 51 | 3020 |
| | T112 8M 50 | 9A | 112 | 285,21 | 283,83 | - | - | 145 | 60 | - | 51 | 3020 |
| | T144 8M 50 | 9A | 144 | 366,69 | 365,32 | - | - | 145 | 60 | - | 51 | 3020 |
| | T168 8M 50 | 8A | 168 | 427,81 | 426,44 | - | - | 145 | 60 | - | 76 | 3020 |
| | T192 8M 50 | 8A | 192 | 488,92 | 487,55 | - | - | 145 | 60 | - | 76 | 3020 |

"Df e Dm possono variare senza preavviso"

"Nelle forme costruttive gli scarichi di alleggerimento possono leggermente variare"



HTD 8M 85 (passo 8 mm) per cinghia di larghezza 85 mm HTD 8M 85 (8 mm pitch) for 85 mm width belt

| Acciaio / Steel | Codice Code | Disegno Drawing | N° Denti Teeth | Dp | De | Flangia 1,5 Flange 1,5 | Df | Dm | B1 | B2 | L | Bussola Taper bush |
|-----------------|-------------------|-----------------|----------------|--------|--------|------------------------|------|-----|----|----|----|--------------------|
| | Ghisa / Cast Iron | T34 8M 85 F | 4F | 34 | 86,58 | 85,22 | Bm22 | 93 | - | 95 | 90 | 38 |
| T36 8M 85 F | | 4F | 36 | 91,67 | 90,30 | Bm23 | 97 | - | 95 | 90 | 38 | 1615 |
| T38 8M 85 F | | 4F | 38 | 96,77 | 95,39 | Bm24 | 105 | - | 95 | 90 | 38 | 1615 |
| T40 8M 85 F | | 4F | 40 | 101,86 | 100,49 | Bm25 | 106 | - | 95 | 90 | 32 | 2012 |
| T44 8M 85 F | | 4F | 44 | 112,05 | 110,67 | Bm28 | 121 | - | 95 | 90 | 32 | 2012 |
| T48 8M 85 F | | 4F | 48 | 122,23 | 120,86 | Bm29 | 127 | - | 95 | 90 | 45 | 2517 |
| T56 8M 85 F | | 4F | 56 | 142,60 | 141,23 | Bm36 | 152 | - | 95 | 90 | 45 | 2517 |
| T64 8M 85 F | | 4F | 64 | 162,97 | 161,60 | Bm38 | 168 | - | 95 | 90 | 51 | 2517 |
| T72 8M 85 F | | 4F | 72 | 183,35 | 181,97 | Bm41 | 194 | 120 | 95 | 90 | 51 | 3020 |
| T80 8M 85 | | 9W | 80 | 203,72 | 202,35 | - | - | 145 | 95 | - | 51 | 3020 |
| T90 8M 85 | | 9W | 90 | 229,18 | 227,81 | - | - | 145 | 95 | - | 51 | 3020 |
| T112 8M 85 | | 9A | 112 | 285,21 | 283,83 | - | - | 145 | 95 | - | 51 | 3020 |
| T144 8M 85 | | 9A | 144 | 366,69 | 365,32 | - | - | 145 | 95 | - | 76 | 3030 |
| T168 8M 85 | | 9A | 168 | 427,81 | 426,44 | - | - | 145 | 95 | - | 76 | 3030 |
| T192 8M 85 | | 9A | 192 | 488,92 | 487,55 | - | - | 145 | 95 | - | 76 | 3030 |

HTD 14M 40 (passo 14 mm) per cinghia di larghezza 40 mm HT D 14M 40 (14 mm pitch) for 40 mm width belt

| Ghisa / Cast Iron | Codice Code | Disegno Drawing | N° Denti Teeth | Dp | De | Flangia 2,5 Flange 2,5 | Df | Dm | B1 | B2 | L | Bussola Taper bush |
|-------------------|--------------|-----------------|----------------|--------|--------|------------------------|-----|----|----|----|------|--------------------|
| | T28 14M 40 F | 4F | 28 | 124,78 | 121,98 | Bm43 | 136 | - | 54 | 46 | 32 | 2012 |
| T29 14M 40 F | 4F | 29 | 129,23 | 126,44 | Bm44 | 140 | - | 54 | 46 | 32 | 2012 | |
| T30 14M 40 F | 4F | 30 | 133,69 | 130,90 | Bm45 | 145 | - | 54 | 46 | 32 | 2012 | |
| T32 14M 40 F | 4F | 32 | 142,60 | 139,81 | Bm46 | 155 | - | 54 | 46 | 32 | 2012 | |
| T34 14M 40 F | 4F | 34 | 151,51 | 148,72 | Bm47 | 162 | - | 54 | 46 | 45 | 2517 | |
| T36 14M 40 F | 4F | 36 | 160,43 | 157,68 | Bm49 | 176 | - | 54 | 46 | 45 | 2517 | |
| T38 14M 40 F | 4F | 38 | 169,34 | 166,60 | Bm50 | 182 | - | 54 | 46 | 45 | 2517 | |
| T40 14M 40 F | 4F | 40 | 178,25 | 175,49 | Bm51 | 191 | - | 54 | 46 | 45 | 2517 | |
| T44 14M 40 F | 4F | 44 | 196,08 | 193,28 | Bm55 | 210 | - | 54 | 46 | 51 | 3020 | |
| T48 14M 40 F | 4F | 48 | 213,90 | 211,11 | Bm57 | 225 | - | 54 | 46 | 51 | 3020 | |
| T56 14M 40 F | 9WF | 56 | 249,55 | 246,76 | Bm61 | 255 | 145 | 54 | 46 | 51 | 3020 | |
| T64 14M 40 F | 9AF | 64 | 285,21 | 282,41 | Bm63 | 290 | 145 | 54 | 46 | 51 | 3020 | |
| T72 14M 40 | 9A | 72 | 320,86 | 318,06 | - | - | 145 | 54 | - | 51 | 3020 | |
| T80 14M 40 | 9A | 80 | 356,51 | 353,71 | - | - | 145 | 54 | - | 51 | 3020 | |
| T90 14M 40 | 9A | 90 | 401,07 | 398,28 | - | - | 145 | 54 | - | 51 | 3020 | |
| T112 14M 40 | 9A | 112 | 499,11 | 496,32 | - | - | 140 | 54 | - | 51 | 3020 | |
| T144 14M 40 | 9A | 144 | 641,71 | 638,92 | - | - | 140 | 54 | - | 51 | 3020 | |
| T168 14M 40 | 8A | 168 | 748,66 | 745,87 | - | - | 145 | 54 | - | 89 | 3535 | |
| T192 14M 40 | 8A | 192 | 855,62 | 852,82 | - | - | 155 | 54 | - | 89 | 3535 | |
| T216 14M 40 | 8A | 216 | 962,57 | 959,76 | - | - | 145 | 54 | - | 89 | 3535 | |

HTD 14M 55 (passo 14 mm) per cinghia di larghezza 55 mm HT D 14M 55 (14 mm pitch) for 55 mm width belt

| Ghisa / Cast Iron | Codice Code | Disegno Drawing | N° Denti Teeth | Dp | De | Flangia 2,5 Flange 2,5 | Df | Dm | B1 | B2 | L | Bussola Taper bush |
|-------------------|--------------|-----------------|----------------|--------|--------|------------------------|-----|----|----|----|------|--------------------|
| | T28 14M 55 F | 4F | 28 | 124,78 | 121,98 | Bm43 | 136 | - | 70 | 62 | 32 | 2012 |
| T29 14M 55 F | 4F | 29 | 129,23 | 126,44 | Bm44 | 140 | - | 70 | 62 | 32 | 2012 | |
| T30 14M 55 F | 4F | 30 | 133,69 | 130,90 | Bm45 | 145 | - | 70 | 62 | 45 | 2517 | |
| T32 14M 55 F | 4F | 32 | 142,60 | 139,81 | Bm46 | 155 | - | 70 | 62 | 45 | 2517 | |
| T34 14M 55 F | 4F | 34 | 151,51 | 148,72 | Bm47 | 162 | - | 70 | 62 | 45 | 2517 | |
| T36 14M 55 F | 4F | 36 | 160,43 | 157,68 | Bm49 | 176 | - | 70 | 62 | 45 | 2517 | |
| T38 14M 55 F | 4F | 38 | 169,34 | 166,60 | Bm50 | 182 | - | 70 | 62 | 45 | 2517 | |
| T40 14M 55 F | 4F | 40 | 178,25 | 175,49 | Bm51 | 191 | - | 70 | 62 | 45 | 2517 | |
| T44 14M 55 F | 4F | 44 | 196,08 | 193,28 | Bm55 | 210 | - | 70 | 62 | 51 | 3020 | |
| T48 14M 55 F | 4F | 48 | 213,90 | 211,11 | Bm57 | 225 | - | 70 | 62 | 51 | 3020 | |
| T56 14M 55 F | 9WF | 56 | 249,55 | 246,76 | Bm61 | 255 | 145 | 70 | 62 | 51 | 3020 | |
| T64 14M 55 F | 9WF | 64 | 285,21 | 282,41 | Bm63 | 290 | 170 | 70 | 62 | 51 | 3020 | |
| T72 14M 55 | 9W | 72 | 320,86 | 318,06 | - | - | 170 | 70 | - | 51 | 3020 | |
| T80 14M 55 | 9W | 80 | 356,51 | 353,71 | - | - | 170 | 70 | - | 51 | 3020 | |
| T90 14M 55 | 9A | 90 | 401,07 | 398,28 | - | - | 160 | 70 | - | 51 | 3020 | |
| T112 14M 55 | 9A | 112 | 499,11 | 496,32 | - | - | 160 | 70 | - | 51 | 3020 | |
| T144 14M 55 | 9A | 144 | 641,71 | 638,92 | - | - | 160 | 70 | - | 51 | 3020 | |
| T168 14M 55 | 8A | 168 | 748,66 | 745,87 | - | - | 160 | 70 | - | 89 | 3535 | |
| T192 14M 55 | 8A | 192 | 855,62 | 852,82 | - | - | 160 | 70 | - | 89 | 3535 | |
| T216 14M 55 | 8A | 216 | 962,57 | 959,76 | - | - | 160 | 70 | - | 89 | 3535 | |

"Df e Dm possono variare senza preavviso"

"Nelle forme costruttive gli scarichi di alleggerimento possono leggermente variare"

HTD 14M 85 (passo 14 mm) per cinghia di larghezza 85 mm
HT D 14M 85 (14 mm pitch) for 85 mm width belt

| Ghisa / Cast Iron | Codice Code | Disegno Drawing | N° Denti Teeth | Dp | De | Flangia 2,5 Flange 2,5 | Df | Dm | B1 | B2 | L | Bussola Taper bush |
|-------------------|--------------|-----------------|----------------|--------|--------|------------------------|-----|-----|-----|-----|------|--------------------|
| | T28 14M 85 F | 4F | 28 | 124,78 | 121,98 | Bm44 | 140 | - | 102 | 94 | 45 | 2517 |
| | T29 14M 85 F | 4F | 29 | 129,23 | 126,44 | Bm44 | 140 | - | 102 | 94 | 45 | 2517 |
| | T30 14M 85 F | 4F | 30 | 133,69 | 130,90 | Bm45 | 145 | - | 102 | 94 | 45 | 2517 |
| | T32 14M 85 F | 4F | 32 | 142,60 | 139,81 | Bm46 | 155 | - | 102 | 94 | 45 | 2517 |
| | T34 14M 85 F | 4F | 34 | 151,51 | 148,72 | Bm47 | 162 | - | 102 | 94 | 45 | 2517 |
| | T36 14M 85 F | 4F | 36 | 160,43 | 157,68 | Bm49 | 176 | - | 102 | 94 | 51 | 3020 |
| | T38 14M 85 F | 4F | 38 | 169,34 | 166,60 | Bm50 | 182 | - | 102 | 94 | 51 | 3020 |
| | T40 14M 85 F | 4F | 40 | 178,25 | 175,49 | Bm51 | 191 | - | 102 | 94 | 51 | 3020 |
| | T44 14M 85 F | 4F | 44 | 196,08 | 193,28 | Bm55 | 210 | - | 102 | 94 | 76 | 3030 |
| | T48 14M 85 F | 4F | 48 | 213,90 | 211,11 | Bm57 | 225 | - | 102 | 94 | 76 | 3030 |
| | T56 14M 85 F | 4F | 56 | 249,55 | 246,76 | Bm61 | 255 | - | 102 | 94 | 89 | 3535 |
| | T64 14M 85 F | 9WF | 64 | 285,21 | 282,41 | Bm63 | 290 | 170 | 102 | 94 | 89 | 3535 |
| T72 14M 85 | 9A | 72 | 320,86 | 318,06 | - | - | 170 | 102 | - | 89 | 3535 | |
| T80 14M 85 | 9A | 80 | 356,51 | 353,71 | - | - | 170 | 102 | - | 89 | 3535 | |
| T90 14M 85 | 9A | 90 | 401,07 | 398,28 | - | - | 160 | 102 | - | 89 | 3535 | |
| T112 14M 85 | 9A | 112 | 499,11 | 496,32 | - | - | 160 | 102 | - | 89 | 3535 | |
| T144 14M 85 | 9A | 144 | 641,71 | 638,92 | - | - | 160 | 102 | - | 89 | 3535 | |
| T168 14M 85 | 9A | 168 | 748,66 | 745,87 | - | - | 160 | 102 | - | 89 | 3535 | |
| T192 14M 85 | 9A | 192 | 855,62 | 852,82 | - | - | 190 | 102 | - | 102 | 4040 | |
| T216 14M 85 | 8A | 216 | 962,57 | 959,76 | - | - | 205 | 102 | - | 114 | 4545 | |

HTD 14M 115 (pass o 14 mm) per cing hia di larghezza 115 mm
HT D 14M 115 (14 mm pitch) for 115 mm width belt

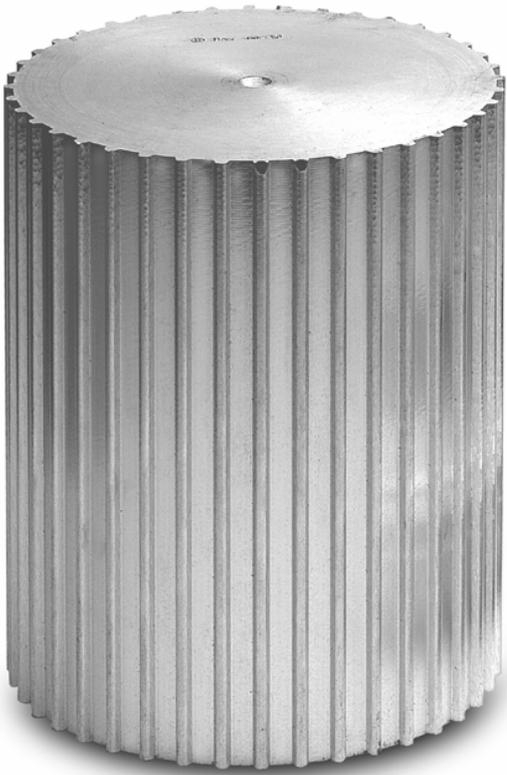
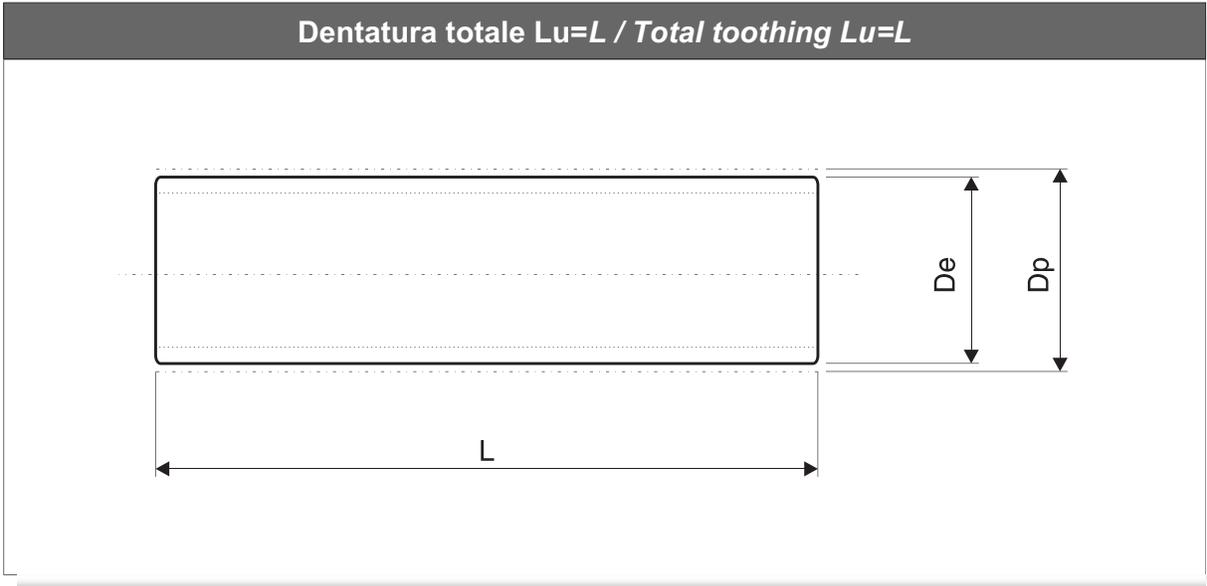
| Ghisa / Cast Iron | Codice Code | Disegno Drawing | N° Denti Teeth | Dp | De | Flangia 2,5 Flange 2,5 | Df | Dm | B1 | B2 | L | Bussola Taper bush |
|-------------------|---------------|-----------------|----------------|--------|--------|------------------------|-----|-----|-----|-----|------|--------------------|
| | T29 14M 115 F | 4F | 29 | 129,23 | 126,44 | Bm44 | 140 | - | 133 | 125 | 45 | 2517 |
| | T30 14M 115 F | 4F | 30 | 133,69 | 130,90 | Bm45 | 145 | - | 133 | 125 | 45 | 2517 |
| | T32 14M 115 F | 4F | 32 | 142,60 | 139,81 | Bm46 | 155 | - | 133 | 125 | 45 | 2517 |
| | T34 14M 115 F | 4F | 34 | 151,51 | 148,72 | Bm47 | 162 | - | 133 | 125 | 45 | 2517 |
| | T36 14M 115 F | 4F | 36 | 160,43 | 157,68 | Bm49 | 176 | - | 133 | 125 | 51 | 3020 |
| | T38 14M 115 F | 4F | 38 | 169,34 | 166,60 | Bm50 | 182 | - | 133 | 125 | 51 | 3020 |
| | T40 14M 115 F | 4F | 40 | 178,25 | 175,49 | Bm51 | 191 | - | 133 | 125 | 51 | 3020 |
| | T44 14M 115 F | 4F | 44 | 196,08 | 193,28 | Bm55 | 210 | - | 133 | 125 | 76 | 3030 |
| | T48 14M 115 F | 4F | 48 | 213,90 | 211,11 | Bm57 | 225 | - | 133 | 125 | 76 | 3030 |
| | T56 14M 115 F | 4F | 56 | 249,55 | 246,76 | Bm61 | 255 | - | 133 | 125 | 89 | 3535 |
| | T64 14M 115 F | 9WF | 64 | 285,21 | 282,41 | Bm63 | 290 | 170 | 133 | 125 | 89 | 3535 |
| | T72 14M 115 F | 9A | 72 | 320,86 | 318,06 | - | - | 170 | 133 | - | 89 | 3535 |
| T80 14M 115 | 9A | 80 | 356,51 | 353,71 | - | - | 170 | 133 | - | 89 | 3535 | |
| T90 14M 115 | 9A | 90 | 401,07 | 398,28 | - | - | 190 | 133 | - | 102 | 3535 | |
| T112 14M 115 | 9A | 112 | 499,11 | 496,32 | - | - | 190 | 133 | - | 102 | 3535 | |
| T144 14M 115 | 9A | 144 | 641,71 | 638,92 | - | - | 205 | 133 | - | 114 | 3535 | |
| T168 14M 115 | 9A | 168 | 748,66 | 745,87 | - | - | 205 | 133 | - | 114 | 4545 | |
| T192 14M 115 | 9A | 192 | 855,62 | 852,82 | - | - | 205 | 133 | - | 114 | 4545 | |
| T216 14M 115 | 9A | 216 | 962,57 | 959,76 | - | - | 240 | 133 | - | 127 | 5050 | |

HTD 14M 170 (pass o 14 mm) per cing hia di larghezza 170 mm
HT D 14M 170 (14 mm pitch) for 170 mm width belt

| Ghisa / Cast Iron | Codice Code | Disegno Drawing | N° Denti Teeth | Dp | De | Flangia 2,5 Flange 2,5 | Df | Dm | B1 | B2 | L | Bussola Taper bush |
|-------------------|---------------|-----------------|----------------|--------|--------|------------------------|-----|-----|-----|-----|------|--------------------|
| | T38 14M 170 F | 4F | 38 | 169,34 | 166,60 | Bm50 | 182 | - | 187 | 179 | 76 | 3030 |
| | T40 14M 170 F | 4F | 40 | 178,25 | 175,49 | Bm51 | 191 | - | 187 | 179 | 76 | 3030 |
| | T44 14M 170 F | 4F | 44 | 196,08 | 193,28 | Bm55 | 210 | - | 187 | 179 | 89 | 3535 |
| | T48 14M 170 F | 4F | 48 | 213,90 | 211,11 | Bm57 | 225 | - | 187 | 179 | 89 | 3535 |
| | T56 14M 170 F | 4F | 56 | 249,55 | 246,76 | Bm61 | 255 | - | 187 | 179 | 89 | 3535 |
| | T64 14M 170 F | 9WF | 64 | 285,21 | 282,41 | Bm63 | 290 | 190 | 187 | 179 | 102 | 4040 |
| | T72 14M 170 | 9W | 72 | 320,86 | 318,06 | - | - | 190 | 187 | - | 102 | 4040 |
| | T80 14M 170 | 9W | 80 | 356,51 | 353,71 | - | - | 190 | 187 | - | 102 | 4040 |
| | T90 14M 170 | 9A | 90 | 401,07 | 398,28 | - | - | 190 | 187 | - | 102 | 4040 |
| | T112 14M 170 | 9A | 112 | 499,11 | 496,32 | - | - | 240 | 187 | - | 127 | 5050 |
| | T144 14M 170 | 9A | 144 | 641,71 | 638,92 | - | - | 240 | 187 | - | 127 | 5050 |
| | T168 14M 170 | 9A | 168 | 748,66 | 745,87 | - | - | 240 | 187 | - | 127 | 5050 |
| T192 14M 170 | 9A | 192 | 855,62 | 852,82 | - | - | 240 | 187 | - | 127 | 5050 | |
| T216 14M 170 | 9A | 216 | 962,57 | 959,76 | - | - | 240 | 187 | - | 127 | 5050 | |

"Df e Dm possono variare senza preavviso"

"Nelle forme costruttive gli scarichi di alleggerimento possono leggermente variare"



**BARRE DENTATE PASSO METRICO T
T METRIC PITCH TIMING BARS**



MEGADYNE

| T2,5 (passo 2,5 mm) T2,5 (2,5 mm pitch) | | | | | |
|--|-------------|----------------|-------|-------|-----|
| Alluminio / Aluminium | Codice Code | N° Denti Teeth | Dp | De | L |
| | T2,5-10 | 10 | 7,96 | 7,44 | 75 |
| | T2,5-12 | 12 | 9,55 | 9,03 | 75 |
| | T2,5-13 | 13 | 10,35 | 9,83 | 75 |
| | T2,5-14 | 14 | 11,14 | 10,62 | 75 |
| | T2,5-15 | 15 | 11,94 | 11,42 | 75 |
| | T2,5-16 | 16 | 12,73 | 12,21 | 75 |
| | T2,5-17 | 17 | 13,53 | 13,01 | 75 |
| | T2,5-18 | 18 | 14,32 | 13,80 | 75 |
| | T2,5-19 | 19 | 15,12 | 14,60 | 120 |
| | T2,5-20 | 20 | 15,92 | 15,40 | 120 |
| | T2,5-21 | 21 | 16,71 | 16,19 | 120 |
| | T2,5-22 | 22 | 17,51 | 16,99 | 140 |
| | T2,5-23 | 23 | 18,30 | 17,78 | 140 |
| | T2,5-24 | 24 | 19,10 | 18,58 | 140 |
| | T2,5-25 | 25 | 19,89 | 19,37 | 140 |
| | T2,5-26 | 26 | 20,69 | 20,17 | 140 |
| | T2,5-27 | 27 | 21,49 | 20,97 | 140 |
| | T2,5-28 | 28 | 22,28 | 21,76 | 140 |
| | T2,5-29 | 29 | 23,08 | 22,56 | 140 |
| | T2,5-30 | 30 | 23,87 | 23,35 | 140 |
| | T2,5-32 | 32 | 25,46 | 24,95 | 140 |
| | T2,5-34 | 34 | 27,06 | 26,54 | 140 |
| | T2,5-35 | 35 | 27,85 | 27,33 | 140 |
| | T2,5-36 | 36 | 28,65 | 28,13 | 140 |
| | T2,5-38 | 38 | 30,24 | 29,72 | 140 |
| | T2,5-40 | 40 | 31,83 | 31,31 | 140 |
| | T2,5-42 | 42 | 33,42 | 32,90 | 140 |
| T2,5-44 | 44 | 35,01 | 34,50 | 140 | |
| T2,5-45 | 45 | 35,81 | 35,29 | 140 | |
| T2,5-48 | 48 | 38,20 | 37,68 | 140 | |
| T2,5-50 | 50 | 39,79 | 39,27 | 160 | |
| T2,5-60 | 60 | 47,75 | 47,23 | 160 | |
| T2,5-65 | 65 | 51,73 | 51,21 | 160 | |
| T2,5-70 | 70 | 55,70 | 55,19 | 160 | |
| T2,5-72 | 72 | 57,30 | 56,78 | 160 | |
| T2,5-90 | 90 | 71,62 | 71,10 | 160 | |
| T2,5-100 | 100 | 79,58 | 79,06 | 160 | |

| T5 (passo 5 mm) T5 (5 mm pitch) | | | | | |
|------------------------------------|-------------|----------------|--------|-------|-----|
| Alluminio / Aluminium | Codice Code | N° Denti Teeth | Dp | De | L |
| | T5-10 | 10 | 15,92 | 15,09 | 140 |
| | T5-11 | 11 | 17,51 | 16,68 | 140 |
| | T5-12 | 12 | 19,10 | 18,27 | 140 |
| | T5-13 | 13 | 20,69 | 19,86 | 140 |
| | T5-14 | 14 | 22,28 | 21,45 | 140 |
| | T5-15 | 15 | 23,87 | 23,04 | 140 |
| | T5-16 | 16 | 25,46 | 24,64 | 140 |
| | T5-17 | 17 | 27,06 | 26,23 | 140 |
| | T5-18 | 18 | 28,65 | 27,82 | 140 |
| | T5-19 | 19 | 30,24 | 29,41 | 140 |
| | T5-20 | 20 | 31,83 | 31,00 | 160 |
| | T5-21 | 21 | 33,42 | 32,59 | 160 |
| | T5-22 | 22 | 35,01 | 34,19 | 160 |
| | T5-23 | 23 | 36,61 | 35,78 | 160 |
| | T5-24 | 24 | 38,20 | 37,37 | 160 |
| | T5-25 | 25 | 39,79 | 38,96 | 160 |
| | T5-26 | 26 | 41,38 | 40,55 | 160 |
| | T5-27 | 27 | 42,97 | 42,14 | 160 |
| | T5-28 | 28 | 44,56 | 43,73 | 160 |
| | T5-29 | 29 | 46,15 | 45,33 | 160 |
| | T5-30 | 30 | 47,75 | 46,92 | 160 |
| | T5-32 | 32 | 50,93 | 50,10 | 160 |
| | T5-34 | 34 | 54,11 | 53,28 | 160 |
| | T5-35 | 35 | 55,70 | 54,88 | 160 |
| | T5-36 | 36 | 57,30 | 56,47 | 160 |
| | T5-37 | 37 | 58,89 | 58,06 | 160 |
| | T5-38 | 38 | 60,48 | 59,65 | 160 |
| | T5-40 | 40 | 63,66 | 62,83 | 160 |
| | T5-42 | 42 | 66,85 | 66,02 | 160 |
| | T5-44 | 44 | 70,03 | 69,20 | 160 |
| | T5-45 | 45 | 71,62 | 70,79 | 160 |
| | T5-46 | 46 | 73,21 | 72,38 | 160 |
| | T5-48 | 48 | 76,39 | 75,57 | 160 |
| T5-50 | 50 | 79,58 | 78,75 | 160 | |
| T5-60 | 60 | 95,49 | 94,67 | 160 | |
| T5-64 | 64 | 101,86 | 101,03 | 160 | |
| T5-72 | 72 | 114,59 | 113,76 | 160 | |
| T5-80 | 80 | 127,32 | 126,50 | 160 | |
| T5-90 | 90 | 143,24 | 142,41 | 160 | |
| T5-100 | 100 | 159,15 | 158,33 | 160 | |

| T10 (passo 10 mm) T10 (10 mm pitch) | | | | | | | | | | |
|--|-------------|----------------|-------|-------|-----|-------------|----------------|--------|--------|-----|
| Alluminio / Aluminium | Codice Code | N° Denti Teeth | Dp | De | L | Codice Code | N° Denti Teeth | Dp | De | L |
| | T10-10 | 10 | 31,83 | 29,98 | 140 | T10-25 | 25 | 79,58 | 77,73 | 160 |
| | T10-11 | 11 | 35,01 | 33,17 | 140 | T10-26 | 26 | 82,76 | 80,91 | 160 |
| | T10-12 | 12 | 38,20 | 36,35 | 140 | T10-27 | 27 | 85,94 | 84,10 | 160 |
| | T10-13 | 13 | 41,38 | 39,53 | 140 | T10-28 | 28 | 89,13 | 87,28 | 160 |
| | T10-14 | 14 | 44,56 | 42,71 | 160 | T10-30 | 29 | 95,49 | 93,65 | 160 |
| | T10-15 | 15 | 47,75 | 45,90 | 160 | T10-32 | 32 | 101,86 | 100,01 | 160 |
| | T10-16 | 16 | 50,93 | 49,08 | 160 | T10-34 | 34 | 108,23 | 106,38 | 160 |
| | T10-17 | 17 | 54,11 | 52,26 | 160 | T10-36 | 36 | 114,59 | 112,74 | 160 |
| | T10-18 | 18 | 57,30 | 55,45 | 160 | T10-38 | 38 | 120,96 | 119,11 | 160 |
| | T10-19 | 19 | 60,48 | 58,63 | 160 | T10-40 | 40 | 127,32 | 125,48 | 160 |
| | T10-20 | 20 | 63,66 | 61,81 | 160 | T10-45 | 45 | 143,24 | 141,39 | 160 |
| | T10-21 | 21 | 66,85 | 65,00 | 160 | T10-48 | 48 | 152,79 | 150,94 | 160 |
| | T10-22 | 22 | 70,03 | 68,18 | 160 | T10-60 | 60 | 190,99 | 189,14 | 160 |
| | T10-23 | 23 | 73,21 | 71,36 | 160 | T10-72 | 72 | 229,18 | 227,34 | 160 |
| | T10-24 | 24 | 76,39 | 74,55 | 160 | | | | | |



| AT 5 (passo 5 mm) AT5 (5 mm pitch) | | | | | |
|---------------------------------------|-------------|----------------|--------|-------|-----|
| Alluminio / Aluminium | Codice Code | N° Denti Teeth | Dp | De | L |
| | AT5-12 | 12 | 19,10 | 17,87 | 140 |
| AT5-13 | 13 | 20,69 | 19,46 | 140 | |
| AT5-14 | 14 | 22,28 | 21,05 | 140 | |
| AT5-15 | 15 | 23,87 | 22,64 | 140 | |
| AT5-16 | 16 | 25,46 | 24,24 | 140 | |
| AT5-17 | 17 | 27,06 | 25,83 | 140 | |
| AT5-18 | 18 | 28,65 | 27,42 | 140 | |
| AT5-19 | 19 | 30,24 | 29,01 | 140 | |
| AT5-20 | 20 | 31,83 | 30,60 | 160 | |
| AT5-21 | 21 | 33,42 | 32,19 | 160 | |
| AT5-22 | 22 | 35,01 | 33,79 | 160 | |
| AT5-23 | 23 | 36,61 | 35,38 | 160 | |
| AT5-24 | 24 | 38,20 | 36,97 | 160 | |
| AT5-25 | 25 | 39,79 | 38,56 | 160 | |
| AT5-26 | 26 | 41,38 | 40,15 | 160 | |
| AT5-27 | 27 | 42,97 | 41,74 | 160 | |
| AT5-28 | 28 | 44,56 | 43,33 | 160 | |
| AT5-29 | 29 | 46,15 | 44,93 | 160 | |
| AT5-30 | 30 | 47,75 | 46,52 | 160 | |
| AT5-31 | 31 | 49,34 | 48,11 | 160 | |
| AT5-32 | 32 | 50,93 | 49,70 | 160 | |
| AT5-34 | 34 | 54,11 | 52,88 | 160 | |
| AT5-35 | 35 | 55,70 | 54,48 | 160 | |
| AT5-36 | 36 | 57,30 | 56,07 | 160 | |
| AT5-38 | 38 | 60,48 | 59,25 | 160 | |
| AT5-40 | 40 | 63,66 | 62,43 | 160 | |
| AT5-42 | 42 | 66,85 | 65,62 | 160 | |
| AT5-44 | 44 | 70,03 | 68,80 | 160 | |
| AT5-45 | 45 | 71,62 | 70,39 | 160 | |
| AT5-46 | 46 | 73,21 | 71,98 | 160 | |
| AT5-48 | 48 | 76,39 | 75,17 | 160 | |
| AT5-50 | 50 | 79,58 | 78,35 | 160 | |
| AT5-60 | 60 | 95,49 | 94,27 | 160 | |
| AT5-64 | 64 | 101,86 | 100,63 | 160 | |
| AT5-72 | 72 | 114,59 | 113,36 | 160 | |

| AT10 (passo 10 mm) AT10 (10 mm pitch) | | | | | |
|--|-------------|----------------|--------|-------|-----|
| Alluminio / Aluminium | Codice Code | N° Denti Teeth | Dp | De | L |
| | AT10-15 | 15 | 47,75 | 45,90 | 160 |
| AT10-16 | 16 | 50,93 | 49,08 | 160 | |
| AT10-17 | 17 | 54,11 | 52,26 | 160 | |
| AT10-18 | 18 | 57,30 | 55,45 | 160 | |
| AT10-19 | 19 | 60,48 | 58,63 | 160 | |
| AT10-20 | 20 | 63,66 | 61,81 | 160 | |
| AT10-21 | 21 | 66,85 | 65,00 | 160 | |
| AT10-22 | 22 | 70,03 | 68,18 | 160 | |
| AT10-23 | 23 | 73,21 | 71,36 | 160 | |
| AT10-24 | 24 | 76,39 | 74,55 | 160 | |
| AT10-25 | 25 | 79,58 | 77,73 | 160 | |
| AT10-26 | 26 | 82,76 | 80,91 | 160 | |
| AT10-27 | 27 | 85,94 | 84,10 | 160 | |
| AT10-28 | 28 | 89,13 | 87,28 | 160 | |
| AT10-29 | 29 | 92,31 | 90,46 | 160 | |
| AT10-30 | 30 | 95,49 | 93,65 | 160 | |
| AT10-32 | 32 | 101,86 | 100,01 | 160 | |
| AT10-34 | 34 | 108,23 | 106,38 | 160 | |
| AT10-35 | 35 | 111,41 | 109,56 | 160 | |
| AT10-36 | 36 | 114,59 | 112,74 | 160 | |
| AT10-38 | 38 | 120,96 | 119,11 | 160 | |
| AT10-40 | 40 | 127,32 | 125,48 | 160 | |
| AT10-42 | 42 | 133,69 | 131,84 | 160 | |
| AT10-44 | 44 | 140,06 | 138,21 | 160 | |
| AT10-45 | 45 | 143,24 | 141,39 | 160 | |
| AT10-48 | 48 | 152,79 | 150,94 | 160 | |
| AT10-52 | 52 | 165,53 | 163,68 | 160 | |
| AT10-60 | 60 | 190,99 | 189,14 | 160 | |

**BARRE DENTATE PASSO HTD
HTD PITCH TIMING BARS**

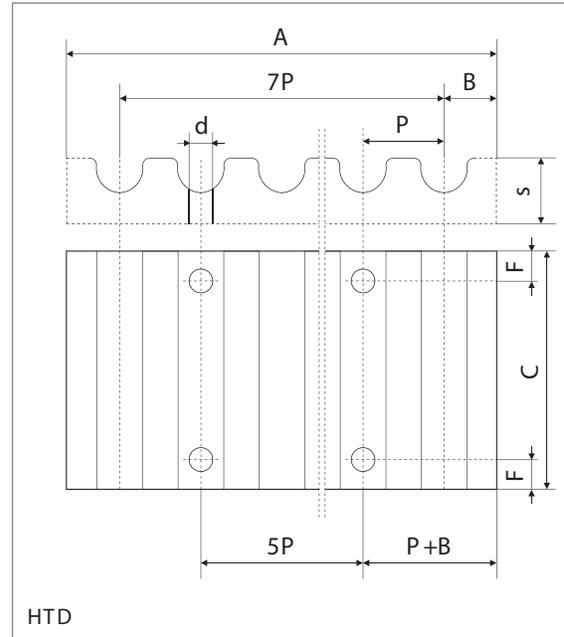
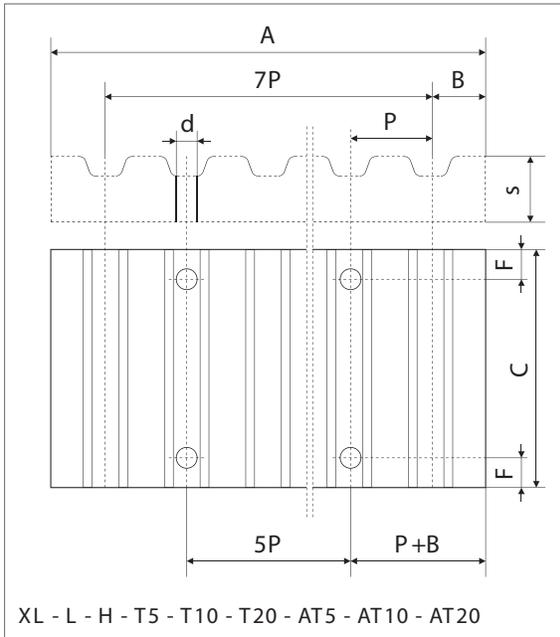


MEGADYNE

| 3M (passo 3 mm) 3M (3 mm pitch) | | | | | |
|------------------------------------|-------------|----------------|-------|-------|-----|
| Alluminio / Aluminium | Codice Code | N° Denti Teeth | Dp | De | L |
| | 3M-10 | 10 | 9,55 | 8,79 | 100 |
| | 3M-11 | 11 | 10,50 | 9,74 | 100 |
| | 3M-12 | 12 | 11,46 | 10,70 | 120 |
| | 3M-13 | 13 | 12,41 | 11,65 | 120 |
| | 3M-14 | 14 | 13,37 | 12,61 | 120 |
| | 3M-15 | 15 | 14,32 | 13,56 | 120 |
| | 3M-16 | 16 | 15,28 | 14,52 | 160 |
| | 3M-17 | 17 | 16,23 | 15,47 | 160 |
| | 3M-18 | 18 | 17,19 | 16,43 | 160 |
| | 3M-19 | 19 | 18,14 | 17,38 | 160 |
| | 3M-20 | 20 | 19,10 | 18,34 | 160 |
| | 3M-21 | 21 | 20,05 | 19,29 | 160 |
| | 3M-22 | 22 | 21,01 | 20,25 | 160 |
| | 3M-23 | 23 | 21,96 | 21,20 | 160 |
| | 3M-24 | 24 | 22,92 | 22,16 | 160 |
| | 3M-25 | 25 | 23,87 | 23,11 | 160 |
| | 3M-26 | 26 | 24,83 | 24,07 | 160 |
| | 3M-28 | 28 | 26,74 | 25,98 | 160 |
| | 3M-30 | 30 | 28,65 | 27,89 | 200 |
| 3M-32 | 32 | 30,56 | 29,80 | 200 | |
| 3M-34 | 34 | 32,47 | 31,71 | 200 | |
| 3M-36 | 36 | 34,38 | 33,62 | 200 | |
| 3M-38 | 38 | 36,29 | 35,53 | 200 | |
| 3M-40 | 40 | 38,20 | 37,44 | 200 | |
| 3M-42 | 42 | 40,11 | 39,35 | 200 | |
| 3M-45 | 45 | 42,97 | 42,21 | 200 | |
| 3M-48 | 48 | 45,84 | 45,08 | 200 | |
| 3M-60 | 60 | 57,30 | 56,54 | 200 | |
| 3M-72 | 72 | 68,75 | 68,00 | 200 | |

| 5M (passo 5 mm) 5M (5 mm pitch) | | | | | |
|---|-------------|----------------|--------|-------|-----|
| Alluminio / Aluminium - Acciaio / Steel | Codice Code | N° Denti Teeth | Dp | De | L |
| | 5M-12 | 12 | 19,10 | 17,96 | 160 |
| | 5M-13 | 13 | 20,69 | 19,55 | 160 |
| | 5M-14 | 14 | 22,28 | 21,14 | 200 |
| | 5M-15 | 15 | 23,87 | 22,73 | 200 |
| | 5M-16 | 16 | 25,46 | 24,33 | 200 |
| | 5M-17 | 17 | 27,06 | 25,92 | 200 |
| | 5M-18 | 18 | 28,65 | 27,51 | 200 |
| | 5M-19 | 19 | 30,24 | 29,10 | 200 |
| | 5M-20 | 20 | 31,83 | 30,69 | 200 |
| | 5M-21 | 21 | 33,42 | 32,28 | 200 |
| | 5M-22 | 22 | 35,01 | 33,88 | 200 |
| | 5M-23 | 23 | 36,61 | 35,47 | 200 |
| | 5M-24 | 24 | 38,20 | 37,06 | 200 |
| | 5M-26 | 26 | 41,38 | 40,24 | 200 |
| | 5M-27 | 27 | 42,97 | 41,83 | 200 |
| | 5M-28 | 28 | 44,56 | 43,42 | 200 |
| | 5M-30 | 30 | 47,75 | 46,61 | 200 |
| | 5M-32 | 32 | 50,93 | 49,79 | 200 |
| | 5M-34 | 34 | 54,11 | 52,97 | 200 |
| 5M-36 | 36 | 57,30 | 56,16 | 200 | |
| 5M-38 | 38 | 60,48 | 59,34 | 200 | |
| 5M-40 | 40 | 63,66 | 62,52 | 200 | |
| 5M-42 | 42 | 66,85 | 65,71 | 200 | |
| 5M-44 | 44 | 70,03 | 68,89 | 200 | |
| 5M-45 | 45 | 71,62 | 70,48 | 200 | |
| 5M-48 | 48 | 76,39 | 75,26 | 200 | |
| 5M-50 | 50 | 79,58 | 78,44 | 200 | |
| 5M-60 | 60 | 95,49 | 94,36 | 200 | |
| 5M-72 | 72 | 114,59 | 113,45 | 200 | |

| 8M (passo 8 mm) 8M (8 mm pitch) | | | | | |
|---|-------------|----------------|--------|-------|-----|
| Alluminio / Aluminium - Acciaio / Steel | Codice Code | N° Denti Teeth | Dp | De | L |
| | 8M-18 | 18 | 45,84 | 44,47 | 200 |
| | 8M-19 | 19 | 48,38 | 47,01 | 200 |
| | 8M-20 | 20 | 50,93 | 49,56 | 200 |
| | 8M-21 | 21 | 53,48 | 52,11 | 200 |
| | 8M-22 | 22 | 56,02 | 54,65 | 200 |
| | 8M-23 | 23 | 58,57 | 57,20 | 200 |
| | 8M-24 | 24 | 61,12 | 59,75 | 200 |
| | 8M-25 | 25 | 63,66 | 62,29 | 200 |
| | 8M-26 | 26 | 66,21 | 64,84 | 200 |
| | 8M-27 | 27 | 68,75 | 67,39 | 200 |
| | 8M-28 | 28 | 71,30 | 70,08 | 200 |
| | 8M-29 | 29 | 73,85 | 72,48 | 200 |
| | 8M-30 | 30 | 76,39 | 75,03 | 200 |
| | 8M-32 | 32 | 81,49 | 80,12 | 200 |
| | 8M-34 | 34 | 86,58 | 85,21 | 200 |
| 8M-35 | 35 | 89,13 | 87,76 | 200 | |
| 8M-36 | 36 | 91,67 | 90,31 | 200 | |
| 8M-38 | 38 | 96,77 | 95,40 | 200 | |
| 8M-40 | 40 | 101,86 | 100,49 | 200 | |



Esempio codice di ordinazione / Order code example
P AT10-25: piastra dentata passo AT10 per cinghia larga 25 mm
AT10 pitch clamping plate for 25 mm width belt

Piastre dentate per cinghie in pollici / Clamping plates for imperial pitch belts

| Alluminio / Alum. | Passo Pitch | F | d | B | A | S | Larghezze cinghia [pollici] / Belt width [inches] | | | | | | | | |
|-------------------|-------------|-----|-----|-------|----|------|---|-----|-----|------|-----|-----|-----|-----|-----|
| | | | | | | | 025 | 037 | 050 | 075 | 100 | 150 | 200 | 300 | 400 |
| | | | | | | | C | | | | | | | | |
| • XL | 6 | 5,5 | 3,5 | 42,5 | 8 | 25,5 | 28,5 | 32 | 38 | 45 | | | | | |
| • L | 8 | 9 | 5 | 76,6 | 15 | | 36 | 39 | 45 | 51,5 | 64 | 77 | | | |
| • H | 10 | 11 | 9 | 106,9 | 22 | | | 45 | 51 | 57,5 | 70 | 83 | 108 | 134 | |

Piastre dentate per cinghie HTD / Clamping plates for HTD pitch belts

| Alluminio / Alum. | Passo Pitch | F | d | B | A | S | Larghezze cinghia [mm] / Belt width [mm] | | | | | | | | | | | | |
|-------------------|-------------|-----|------|------|----|----|--|----|----|----|----|----|----|----|----|-----|-----|-----|-----|
| | | | | | | | 6 | 9 | 10 | 15 | 20 | 25 | 30 | 40 | 50 | 55 | 85 | 115 | 170 |
| | | | | | | | C | | | | | | | | | | | | |
| • 5M | 6 | 5,5 | 3,25 | 41,5 | 8 | 25 | 28 | | 34 | | 44 | | | | | | | | |
| • 8M | 8 | 9 | 5 | 66 | 15 | | | 35 | 40 | 45 | | 55 | | 75 | | 110 | | | |
| • 14M | 10 | 11 | 9 | 116 | 22 | | | | | | 56 | | 71 | | 86 | 116 | 146 | 201 | |

Piastre dentate per cinghie con passo metrico / Clamping plates for metric pitch belts

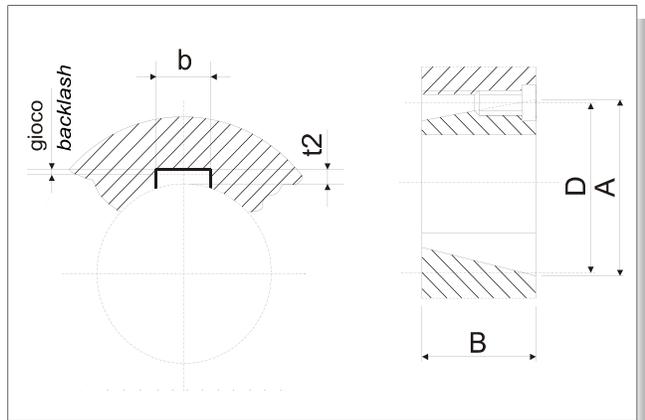
| Alluminio / Alum. | Passo Pitch | F | d | B | A | S | Larghezze cinghia [mm] / Belt width [mm] | | | | | | | | |
|-------------------|-------------|-----|------|-------|----|----|--|----|----|----|----|----|-----|-----|-----|
| | | | | | | | 6 | 10 | 16 | 20 | 25 | 32 | 50 | 75 | 100 |
| | | | | | | | C | | | | | | | | |
| • T5 | 6 | 5,5 | 3,25 | 41,65 | 8 | 25 | 29 | 35 | 39 | 44 | 51 | 69 | | | |
| • AT5 | | | | | | | | | | | | | | | |
| • T10 | 8 | 9 | 5 | 80 | 15 | | 35 | 41 | | 50 | 57 | 75 | 100 | 125 | |
| • AT10 | | | | | | | | | | | | | | | |
| • T20 | 10 | 11 | 10 | 160 | 20 | | | | | 56 | 63 | 81 | 106 | 132 | |
| • AT20 | | | | | | | | | | | | | | | |

• Tipi fornibili a metraggio / Available in customized lengths

| Bu ssole co niche Taper bushes | | | | | | | | | | | | | | | | | | | | | | | | | | |
|-----------------------------------|-----------------------------|----|----|--------------------------|--------------------|---------------------------------|----------------|---|-----|--------|------|-----|-------|-------|-------|------|-------|--------|-------|-------|--------|--------|--------|------|----|---|
| Tipo Type | Ø fori [mm] Bores Ø [mm] | | | | | | | | | | | | | | | | | | | | | | | | | |
| | A | B | D | N° viti Screws No. | Ø viti Screws Ø | Lunghezza viti Screws length | Chiave Keys | Coppia serraggio [daNM] Tightening torque [daNM] | | | | | | | | | | | | | | | | | | |
| 1008 | 10 | 11 | 12 | 14 | 16 | 18 | 19 | 20 | 22 | 24*25* | 35,2 | 22 | 33,7 | 2 | 1/4" | 1/2" | 3 | 0,6 | | | | | | | | |
| 1108 | 10 | 11 | 12 | 14 | 16 | 18 | 19 | 20 | 22 | 24 | 25 | 28* | 38,8 | 22 | 36,9 | 2 | 1/4" | 1/2" | 3 | 0,6 | | | | | | |
| 1210 | 11 | 12 | 14 | 16 | 18 | 19 | 20 | 22 | 24 | 25 | 25 | 30 | 32 | 47,6 | 25 | 44,5 | 2 | 3/8" | 5/8" | 4 | 2 | | | | | |
| 1610 | 14 | 16 | 18 | 19 | 20 | 22 | 24 | 25 | 28 | 30 | 32 | 35 | 38 | 40 | 42* | 57,2 | 25 | 54 | 2 | 3/8" | 5/8" | 4 | 2 | | | |
| 1615 | 14 | 16 | 18 | 19 | 20 | 22 | 24 | 25 | 28 | 30 | 32 | 35 | 38 | 40 | 42* | 57,2 | 38 | 54 | 2 | 3/8" | 5/8" | 4 | 2 | | | |
| 2012 | 14 | 16 | 18 | 19 | 20 | 22 | 24 | 25 | 28 | 30 | 32 | 35 | 38 | 40 | 42 | 45 | 48 | 50 | 69,9 | 32 | 66,7 | 2 | 7/16" | 7/8" | 6 | 3 |
| 2517 | 16 | 18 | 19 | 20 | 22 | 24 | 25 | 28 | 30 | 32 | 40 | 42 | 45 | 48 | 50 | 55 | 60 | 65 | 85,7 | 45 | 82,5 | 2 | 1/2" | 1" | 6 | 5 |
| 3020 | 25 | 28 | 30 | 32 | 38 | 40 | 42 | 45 | 48 | 50 | 55 | 60 | 65 | 70 | 75 | 108 | 51 | 101,6 | 2 | 5/8" | 1 1/4" | 8 | 9 | | | |
| 3030 | 35 | 38 | 40 | 42 | 45 | 48 | 50 | 55 | 60 | 65 | 70 | 75 | 108 | 76 | 101,6 | 2 | 5/8" | 1 1/4" | 8 | 9 | | | | | | |
| 3525 | 35 | 38 | 40 | 42 | 45 | 48 | 50 | 55 | 60 | 65 | 70 | 75 | 80 | 85 | 90 | 95 | 127 | 65 | 122,7 | 3 | 1/2" | 1 1/2" | 10 | 10 | | |
| 3535 | 35 | 38 | 40 | 42 | 45 | 48 | 50 | 55 | 60 | 65 | 70 | 75 | 80 | 85 | 90 | 127 | 89 | 122,7 | 3 | 1/2" | 1 1/2" | 10 | 10 | | | |
| 4030 | 40 | 42 | 45 | 48 | 50 | 55 | 60 | 65 | 70 | 75 | 80 | 85 | 90 | 95 | 100 | 105 | 110 | 146 | 78 | 140,7 | 3 | 5/8" | 1 3/4" | 14 | 19 | |
| 4040 | 40 | 42 | 45 | 48 | 50 | 55 | 60 | 65 | 70 | 75 | 80 | 85 | 90 | 95 | 100 | 146 | 101,6 | 140,7 | 3 | 5/8" | 1 3/4" | 14 | 19 | | | |
| 4545 | 55 | 60 | 65 | 70 | 75 | 80 | 85 | 90 | 95 | 100 | 105 | 110 | 162 | 114,3 | 155,7 | 3 | 3/4" | 2" | 14 | 24 | | | | | | |
| 5050 | 70 | 75 | 80 | 85 | 90 | 95 | 100 | 105 | 110 | 115 | 120 | 125 | 177,8 | 127 | 170,7 | 3 | 7/8" | 2 1/4" | 14 | 36 | | | | | | |

N.B.: * Fori con cava ribassata DIN 6556
N.B.: * Bores with shallow keyway DIN 6556

| Cave per chiavetta su busso la conica Keyways for Taper bush | | | |
|---|----------------------------------|----------------|-----|
| | Ø foro bussola Bore Ø of bush | Cava Keyway | |
| | | b | t2 |
| Ghisa / Cast Iron | 10 - 12 | 4 | 1,8 |
| | 13 - 17 | 5 | 2,3 |
| | 18 - 22 | 6 | 2,8 |
| | 23 - 30 | 8 | 3,3 |
| | 31 - 38 | 10 | 3,3 |
| | 39 - 44 | 12 | 3,3 |
| | 45 - 50 | 14 | 3,8 |
| | 51 - 58 | 16 | 4,3 |
| | 59 - 65 | 18 | 4,4 |
| | 66 - 75 | 20 | 4,9 |
| | 76 - 85 | 22 | 5,4 |
| | 86 - 95 | 25 | 5,4 |
| | 96 - 110 | 28 | 6,4 |
| 111 - 130 | 32 | 7,4 | |



IMPORTANTE: verificare che al montaggio vi sia sempre gioco in altezza tra la chiavetta e la cava.
IMPORTANT: during the assembly check always that sufficient clearance in height exists between the key and the keyway.

N.B.: Specifiche, dimensioni e tolleranze possono essere variate senza preavviso.
N.B.: Features, dimensions and tolerances can be changed without notice.



| N° Denti Teeth | Profilo / Profile | | | | | | | | | | | | | N° Denti Teeth |
|-------------------|-------------------|------|------|------|------|------|------|------|-------|------|-------|--------|--------|-------------------|
| | MXL | XL | L | H | XH | HTD3 | HTD5 | HTD8 | HTD14 | T2,5 | T/AT5 | T/AT10 | T/AT20 | |
| 10 | - | Bm1 | Bm5 | - | - | Bm73 | - | - | - | - | Bm0 | Bm5 | - | 10 |
| 11 | - | Bm1 | Bm7 | - | - | Bm73 | - | - | - | - | Bm1 | Bm6 | - | 11 |
| 12 | Bm73 | Bm2 | Bm7 | Bm12 | - | Bm74 | Bm1 | - | - | Bm73 | Bm1 | Bm7 | - | 12 |
| 13 | Bm73 | Bm2 | Bm8 | Bm13 | - | Bm74 | Bm2 | - | - | Bm73 | Bm2 | Bm8 | - | 13 |
| 14 | Bm73 | Bm3 | Bm8 | Bm14 | - | Bm75 | Bm2 | - | - | Bm74 | Bm2 | Bm9 | - | 14 |
| 15 | Bm73 | Bm3 | Bm10 | Bm15 | - | Bm75 | Bm3 | - | - | Bm74 | Bm3 | Bm10 | Bm106 | 15 |
| 16 | Bm74 | Bm3 | Bm12 | Bm16 | - | Bm0 | Bm3 | - | - | Bm75 | Bm4 | Bm11 | Bm107 | 16 |
| 17 | Bm74 | Bm5 | Bm12 | Bm17 | - | Bm0 | Bm4 | - | - | Bm75 | Bm4 | Bm12 | Bm107 | 17 |
| 18 | Bm74 | Bm5 | Bm14 | Bm18 | Bm43 | Bm1 | Bm4 | Bm9 | - | Bm75 | Bm4 | Bm13 | Bm92 | 18 |
| 19 | Bm75 | Bm5 | Bm14 | Bm19 | Bm44 | Bm1 | Bm4 | Bm10 | - | Bm0 | Bm5 | Bm15 | Bm108 | 19 |
| 20 | Bm75 | Bm7 | Bm15 | Bm20 | Bm46 | Bm2 | Bm5 | Bm11 | - | Bm1 | Bm5 | Bm15 | Bm43 | 20 |
| 21 | Bm75 | Bm7 | Bm16 | Bm21 | Bm46 | Bm2 | Bm6 | Bm12 | - | Bm1 | Bm6 | Bm16 | Bm43 | 21 |
| 22 | Bm75 | Bm7 | Bm17 | Bm23 | Bm47 | Bm2 | Bm6 | Bm14 | - | Bm1 | Bm6 | Bm17 | Bm45 | 22 |
| 23 | Bm0 | Bm8 | Bm18 | Bm23 | Bm48 | Bm2 | Bm7 | Bm14 | Bm107 | Bm1 | Bm7 | Bm18 | Bm45 | 23 |
| 24 | Bm0 | Bm8 | Bm18 | Bm24 | Bm49 | Bm3 | Bm7 | Bm15 | Bm90 | Bm1 | Bm7 | Bm19 | Bm47 | 24 |
| 25 | Bm0 | Bm8 | Bm19 | Bm24 | Bm50 | Bm3 | Bm8 | Bm15 | Bm90 | Bm2 | Bm8 | Bm19 | Bm48 | 25 |
| 26 | Bm1 | Bm8 | Bm20 | Bm26 | Bm51 | Bm3 | Bm8 | Bm16 | Bm92 | Bm2 | Bm8 | Bm20 | Bm48 | 26 |
| 27 | Bm1 | Bm9 | Bm20 | Bm27 | Bm52 | Bm4 | Bm8 | Bm16 | Bm92 | Bm2 | Bm9 | Bm21 | Bm49 | 27 |
| 28 | Bm1 | Bm10 | Bm21 | Bm28 | Bm55 | Bm4 | Bm8 | Bm18 | Bm43 | Bm2 | Bm9 | Bm22 | Bm50 | 28 |
| 29 | Bm1 | Bm10 | Bm22 | Bm28 | Bm56 | Bm4 | Bm10 | Bm18 | Bm44 | Bm2 | Bm10 | Bm23 | Bm52 | 29 |
| 30 | Bm2 | Bm12 | Bm23 | Bm29 | Bm57 | Bm4 | Bm10 | Bm19 | Bm45 | Bm3 | Bm10 | Bm23 | Bm52 | 30 |
| 31 | Bm2 | Bm12 | Bm24 | Bm31 | Bm58 | Bm5 | Bm11 | Bm19 | Bm45 | Bm4 | Bm11 | Bm24 | Bm52 | 31 |
| 32 | Bm2 | Bm12 | Bm24 | Bm32 | Bm60 | Bm5 | Bm12 | Bm20 | Bm46 | Bm4 | Bm11 | Bm25 | Bm55 | 32 |
| 33 | Bm2 | Bm12 | Bm24 | Bm32 | Bm60 | Bm5 | Bm12 | Bm20 | Bm46 | Bm4 | Bm12 | Bm26 | Bm56 | 33 |
| 34 | Bm2 | Bm13 | Bm26 | Bm34 | Bm62 | Bm6 | Bm12 | Bm22 | Bm47 | Bm4 | Bm12 | Bm27 | Bm57 | 34 |
| 35 | Bm2 | Bm14 | Bm26 | Bm36 | Bm62 | Bm6 | Bm13 | Bm22 | Bm48 | Bm4 | Bm13 | Bm27 | Bm58 | 35 |
| 36 | Bm3 | Bm15 | Bm27 | Bm36 | Bm65 | Bm6 | Bm14 | Bm23 | Bm49 | Bm5 | Bm14 | Bm28 | Bm60 | 36 |
| 37 | Bm3 | Bm15 | Bm28 | Bm37 | - | Bm7 | Bm15 | Bm23 | Bm49 | Bm5 | Bm14 | Bm29 | Bm72 | 37 |
| 38 | Bm3 | Bm16 | Bm29 | Bm37 | - | Bm7 | Bm15 | Bm24 | Bm50 | Bm5 | Bm15 | Bm30 | Bm72 | 38 |
| 39 | Bm4 | Bm16 | Bm29 | Bm38 | - | Bm7 | Bm15 | Bm25 | Bm50 | Bm5 | Bm15 | Bm30 | Bm61 | 39 |
| 40 | Bm4 | Bm16 | Bm29 | Bm38 | - | Bm7 | Bm15 | Bm25 | Bm51 | Bm6 | Bm15 | Bm31 | Bm65 | 40 |
| 41 | Bm4 | Bm17 | Bm31 | Bm39 | - | Bm8 | Bm16 | Bm26 | Bm51 | Bm6 | Bm16 | Bm32 | - | 41 |
| 42 | Bm4 | Bm17 | Bm31 | Bm39 | - | Bm8 | Bm17 | Bm26 | Bm52 | Bm6 | Bm16 | Bm34 | - | 42 |
| 43 | Bm4 | Bm18 | Bm32 | Bm40 | - | Bm8 | Bm17 | Bm27 | Bm52 | Bm6 | Bm17 | Bm34 | - | 43 |
| 44 | Bm4 | Bm18 | Bm32 | Bm40 | - | Bm8 | Bm17 | Bm27 | Bm55 | Bm7 | Bm17 | Bm34 | - | 44 |
| 45 | Bm5 | Bm18 | Bm34 | Bm41 | - | Bm9 | Bm18 | Bm28 | Bm56 | Bm7 | Bm18 | Bm35 | - | 45 |
| 46 | Bm5 | Bm19 | Bm35 | Bm41 | - | Bm9 | Bm18 | Bm29 | Bm56 | Bm7 | Bm18 | Bm36 | - | 46 |
| 47 | Bm5 | Bm19 | Bm36 | Bm42 | - | Bm10 | Bm18 | Bm29 | Bm57 | Bm7 | Bm18 | Bm36 | - | 47 |
| 48 | Bm5 | Bm20 | Bm36 | Bm42 | - | Bm10 | Bm19 | Bm29 | Bm57 | Bm7 | Bm19 | Bm37 | - | 48 |
| 49 | Bm6 | Bm20 | Bm37 | Bm55 | - | Bm10 | Bm19 | Bm31 | Bm58 | Bm8 | Bm19 | Bm37 | - | 49 |
| 50 | Bm6 | Bm20 | Bm37 | Bm56 | - | Bm10 | Bm20 | Bm31 | Bm59 | Bm8 | Bm20 | Bm38 | - | 50 |
| 51 | Bm6 | Bm20 | Bm37 | Bm56 | - | Bm11 | Bm20 | Bm32 | Bm60 | Bm9 | Bm20 | Bm38 | - | 51 |
| 52 | Bm6 | Bm21 | Bm38 | Bm57 | - | Bm11 | Bm20 | Bm34 | Bm60 | Bm9 | Bm20 | Bm38 | - | 52 |
| 53 | Bm6 | Bm21 | Bm38 | Bm57 | - | Bm11 | Bm21 | Bm34 | Bm72 | Bm9 | Bm21 | Bm39 | - | 53 |
| 54 | Bm7 | Bm22 | Bm38 | Bm58 | - | Bm12 | Bm21 | Bm34 | Bm72 | Bm9 | Bm21 | Bm39 | - | 54 |
| 55 | Bm7 | Bm22 | Bm39 | Bm58 | - | Bm12 | Bm22 | Bm34 | Bm61 | Bm9 | Bm22 | Bm40 | - | 55 |
| 56 | Bm7 | Bm23 | Bm39 | Bm60 | - | Bm12 | Bm22 | Bm36 | Bm61 | Bm10 | Bm22 | Bm40 | - | 56 |
| 57 | Bm7 | Bm23 | Bm40 | Bm60 | - | Bm13 | Bm23 | Bm36 | - | Bm10 | Bm23 | Bm40 | - | 57 |
| 58 | Bm7 | Bm23 | Bm40 | Bm60 | - | Bm13 | Bm23 | Bm36 | Bm65 | Bm10 | Bm23 | Bm41 | - | 58 |
| 59 | Bm7 | Bm24 | Bm40 | Bm61 | - | Bm14 | Bm23 | Bm37 | - | Bm10 | Bm23 | Bm41 | - | 59 |
| 60 | Bm8 | Bm24 | Bm41 | Bm61 | - | Bm14 | Bm24 | Bm37 | Bm65 | Bm10 | Bm24 | Bm42 | - | 60 |
| 61 | Bm8 | - | - | - | - | Bm15 | - | - | - | Bm11 | Bm24 | Bm42 | - | 61 |
| 62 | Bm9 | - | - | - | - | Bm15 | - | - | - | Bm11 | Bm25 | - | - | 62 |
| 63 | Bm9 | - | - | - | - | Bm15 | - | - | - | Bm11 | Bm25 | - | - | 63 |
| 64 | Bm9 | - | - | - | - | Bm15 | - | Bm38 | Bm63 | Bm11 | Bm25 | - | - | 64 |
| 65 | Bm9 | - | - | - | - | Bm15 | - | - | - | Bm12 | Bm26 | - | - | 65 |
| 66 | Bm9 | - | - | - | - | Bm16 | - | - | - | Bm12 | Bm26 | - | - | 66 |
| 67 | Bm10 | - | - | - | - | Bm16 | - | - | - | - | - | - | - | 67 |
| 68 | Bm10 | - | - | - | - | Bm16 | - | - | - | - | - | - | - | 68 |
| 69 | Bm10 | - | - | - | - | Bm17 | - | - | - | - | - | - | - | 69 |
| 70 | Bm10 | - | - | - | - | Bm17 | - | - | - | - | - | - | - | 70 |
| 71 | Bm10 | - | - | - | - | Bm17 | - | - | - | - | - | - | - | 71 |
| 72 | Bm10 | - | - | - | - | Bm17 | - | Bm41 | - | - | - | - | - | 72 |

FLANGE PER PULEGGE DENTATE FLANGES FOR TIMING PULLEYS

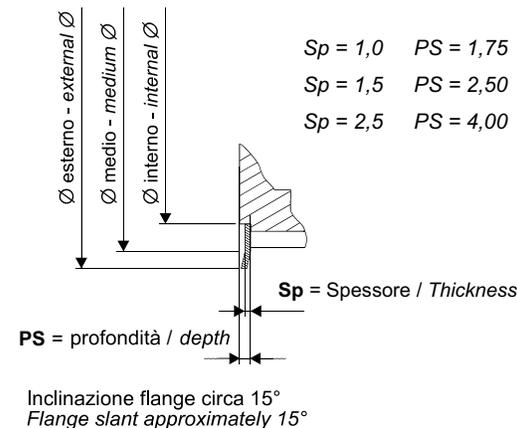


MEGADYNE

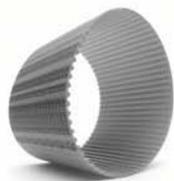
| Flange / Flanges | | | | | | | |
|------------------|-------------------------|---------------------|-------------------------|----------------------|-----|-----|-----|
| Codice Code | Ø esterno External Ø | Ø medio Medium Ø | Ø interno Internal Ø | Spessore / Thickness | | | |
| | | | | 0,5 | 1,0 | 1,5 | 2,5 |
| Bm73 | 12 | - | 6 | x | x | | |
| Bm74 | 15 | - | 8 | x | x | | |
| Bm75 | 16 | 13 | 9 | x | x | | |
| Bm0 | 19,5 | 16 | 12 | x | x | | |
| Bm1 | 22 | 17 | 13 | x | x | | |
| Bm2 | 25 | 20 | 15 | x | x | | |
| Bm3 | 28 | 24 | 18 | x | x | | |
| Bm4 | 32 | 26 | 21,5 | x | x | | |
| Bm5 | 36 | 31 | 25 | x | x | x | |
| Bm6 | 38 | 33 | 28 | x | x | x | |
| Bm7 | 41 | 37 | 28 | x | x | x | |
| Bm8 | 47 | 40 | 33 | | x | x | |
| Bm9 | 48 | 40 | 37 | | x | x | |
| Bm10 | 51 | 46 | 40 | | x | x | |
| Bm11 | 54 | 48 | 43 | | x | x | |
| Bm12 | 57 | 52 | 42 | | x | x | |
| Bm13 | 60 | 54 | 47 | | x | x | |
| Bm14 | 63 | 55 | 48 | | x | x | |
| Bm15 | 66 | 58 | 52 | | x | x | |
| Bm16 | 72 | 63 | 54 | | x | x | |
| Bm17 | 75 | 68 | 60 | | x | x | |
| Bm18 | 80 | 71 | 62 | | x | x | |
| Bm19 | 83 | 76 | 68 | | x | x | |
| Bm20 | 87 | 80 | 72 | | x | x | |
| Bm21 | 91 | 83 | 76 | | x | x | |
| Bm22 | 93 | 88 | 80 | | x | x | |
| Bm23 | 97 | 93 | 83 | | x | x | |
| Bm24 | 105 | 97 | 87 | | x | x | |
| Bm25 | 106 | 98 | 90 | | x | x | |
| Bm26 | 113 | 104 | 95 | | x | x | |
| Bm27 | 118 | 108 | 100 | | x | x | |
| Bm28 | 119 | 113 | 103 | | x | x | |
| Bm29 | 127 | 122 | 104 | | x | x | |
| Bm30 | 127 | 119 | 111 | | x | x | |
| Bm31 | 131 | 124 | 115 | | x | x | |
| Bm32 | 135 | 128 | 119 | | x | x | |
| Bm34 | 143 | - | 120 | | x | x | |
| Bm35 | 147 | - | 130 | | x | x | |
| Bm36 | 152 | 143 | 124 | | x | x | |
| Bm37 | 160 | - | 136 | | x | x | |
| Bm38 | 168 | 161 | 148 | | x | x | |
| Bm39 | 174 | 165 | 140 | | | x | |
| Bm40 | 182 | - | 165 | | | x | |
| Bm41 | 194 | - | 160 | | | x | |
| Bm42 | 200 | 194 | 173 | | | x | |

| Flange / Flanges | | | | | | | |
|------------------|-------------------------|---------------------|-------------------------|----------------------|-----|-----|-----|
| Codice Code | Ø esterno External Ø | Ø medio Medium Ø | Ø interno Internal Ø | Spessore / Thickness | | | |
| | | | | 0,5 | 1,0 | 1,5 | 2,5 |
| Bm43 | 136 | - | 100 | | | x | x |
| Bm44 | 140 | - | 110 | | | x | x |
| Bm45 | 145 | - | 114 | | | x | x |
| Bm46 | 155 | 140 | 120 | | | x | x |
| Bm47 | 162 | 148 | 125 | | | x | x |
| Bm48 | 168 | - | 148 | | | x | x |
| Bm49 | 176 | 158 | 135 | | | x | x |
| Bm50 | 182 | - | 133 | | | x | x |
| Bm51 | 191 | 175 | 155 | | | x | x |
| Bm52 | 200 | - | 173 | | | x | x |
| Bm55 | 210 | - | 170 | | | x | x |
| Bm56 | 213 | - | 185 | | | x | x |
| Bm57 | 225 | - | 190 | | | x | x |
| Bm58 | 236 | - | 200 | | | x | x |
| Bm60 | 240 | - | 194 | | | x | x |
| Bm61 | 255 | - | 225 | | | x | x |
| Bm62 | 260 | - | 213 | | | x | x |
| Bm63 | 290 | - | 250 | | | x | x |
| Bm64 | 300 | - | 255 | | | x | x |
| Bm65 | 275 | - | 240 | | | x | x |
| Bm69 | 335 | - | 290 | | | x | x |
| Bm72 | 250 | - | 213 | | | x | x |
| Bm106 | 96 | - | 75 | | | x | x |
| Bm107 | 110 | - | 86 | | | x | x |
| Bm92 | 119 | 106 | 99 | | | x | x |
| Bm108 | 127 | 122 | 104 | | | x | x |
| Bm110 | 370 | - | 345 | | | x | x |

Predisposizione consigliata / Suggested configuration



I NOSTRI PRODOTTI



CINGHIE MEGAPOWER



CINGHIE MEGAFLEX



CINGHIE MEGAFLAT



CINGHIE MEGAWELD



CINGHIE SPECIALI



PRODOTTI ATLANTA



MOTORI



GIUNTI



CINGHIE MEGALINEAR



CINGHIE MEGARUBBER



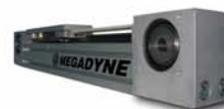
CINGHIE MEGARIB



CINGHIE TRAPEZOIDALI



PULEGGE



UNITA' LINEARI MEGARAIL



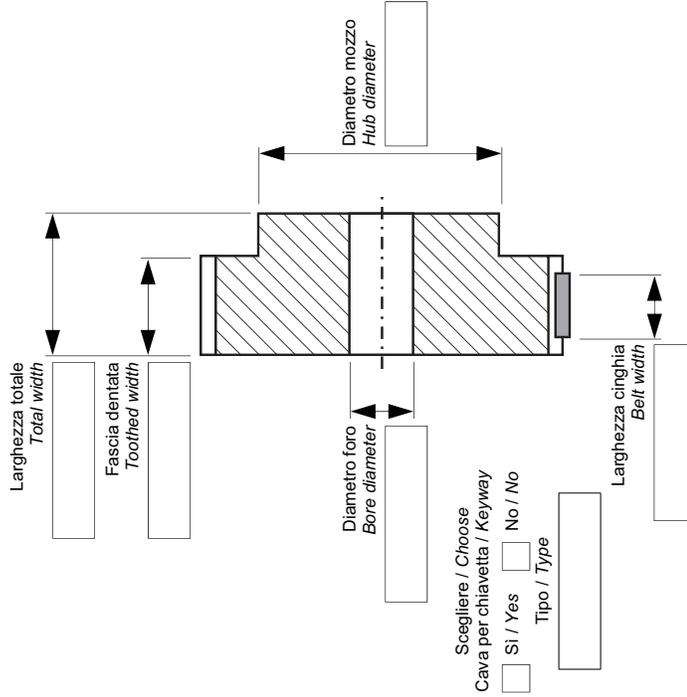
ATTUATORI LINEARI



CATENE MEGACHAIN OCM



Puleggia con mozzo senza flange - Tipo (B) Pulley with hub, no flanges - Type (B)



Materiale / Material

Trattamento / Treatment

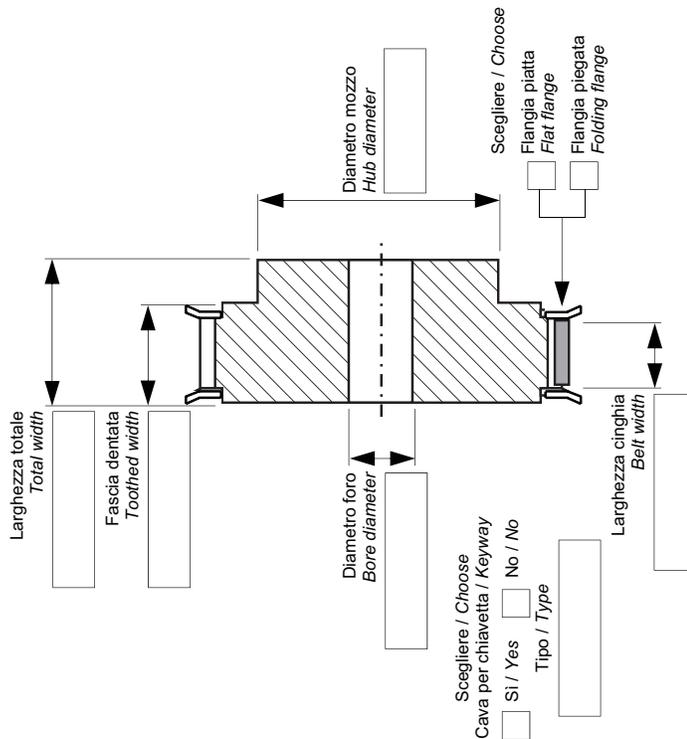
N° denti / Teeth nr.....

Profilo e passo / Profile and pitch

Note / Notes.....

Riferimento n° / Reference nr

Puleggia con mozzo e flange - Tipo (A) Pulley with hub and flanges - Type (A)



Materiale / Material

Trattamento / Treatment

N° denti / Teeth nr.....

Profilo e passo / Profile and pitch

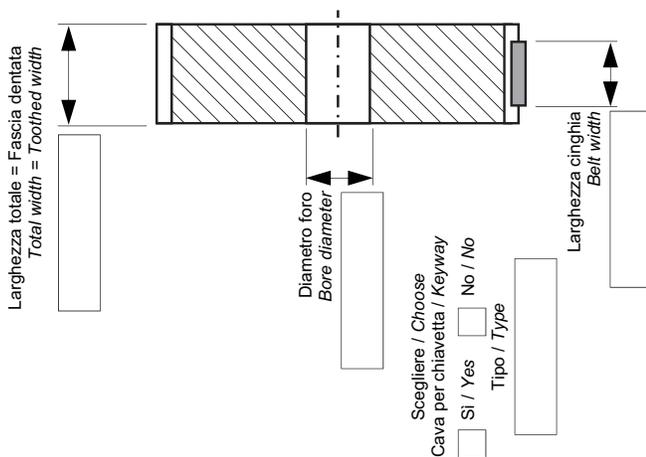
Codice flangia / Flange code.....

Note / Notes.....

Riferimento n° / Reference nr



Puleggia senza mozzo e flange - Tipo (D)
Pulley without hub and flanges - Type (D)



Materiale / Material

Trattamento / Treatment

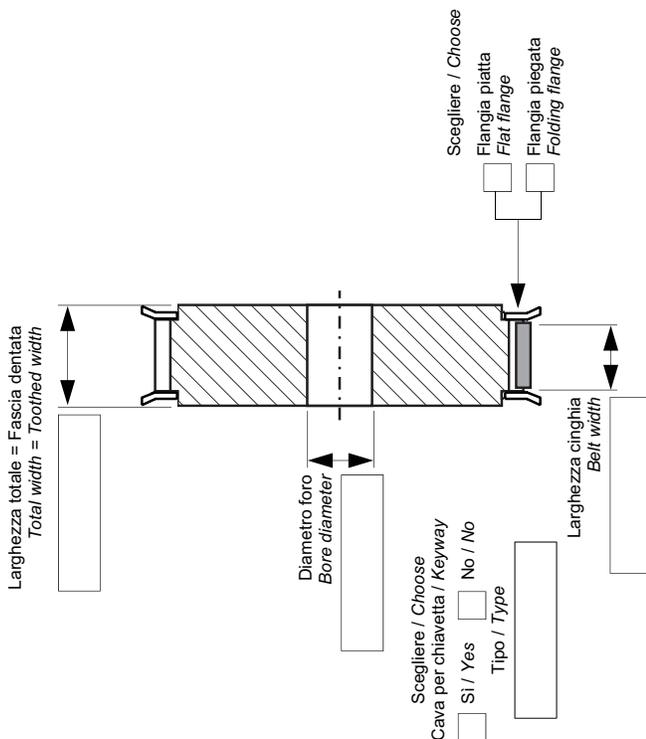
N° denti / Teeth nr.....

Profilo e passo / Profile and pitch

Note / Notes.....

Riferimento n° / Reference nr

Puleggia senza mozzo con flange - Tipo (C)
Pulley with flanges, no hub - Type (C)



Materiale / Material

Trattamento / Treatment

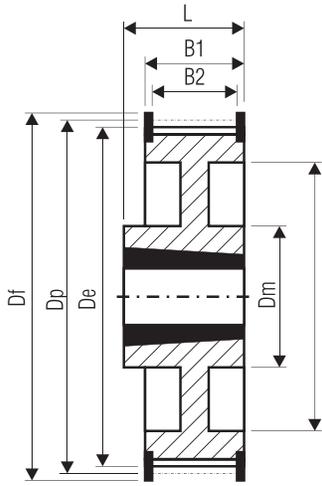
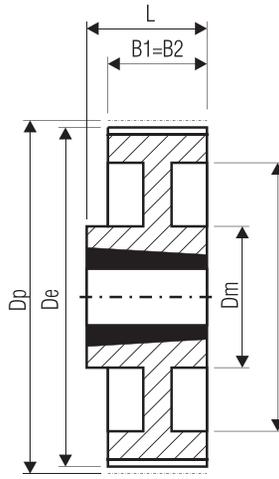
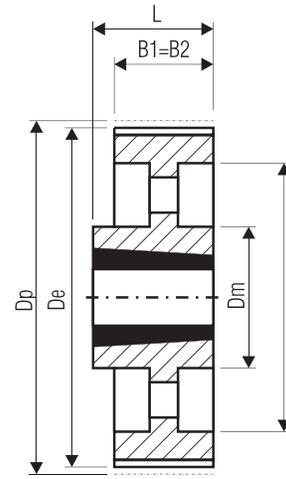
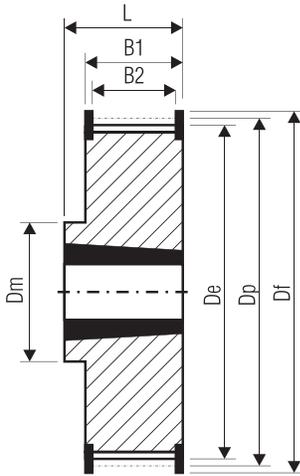
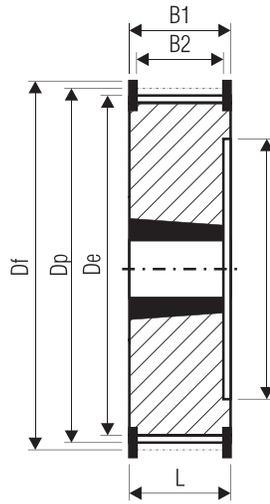
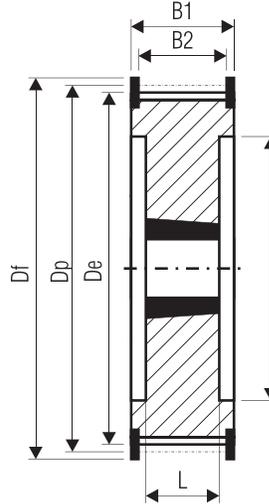
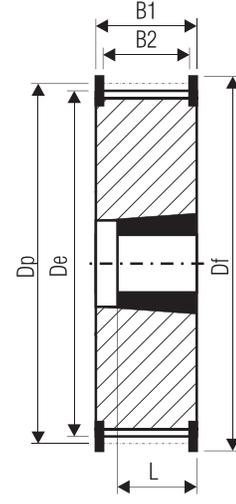
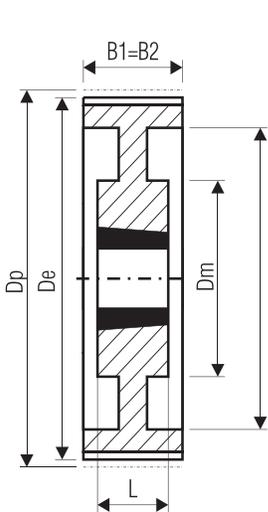
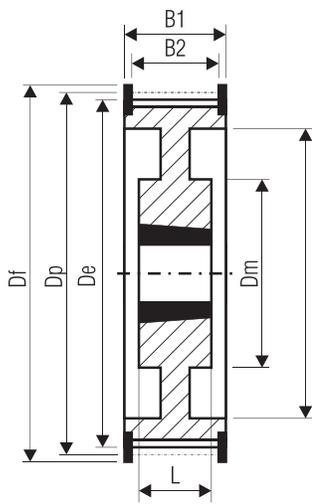
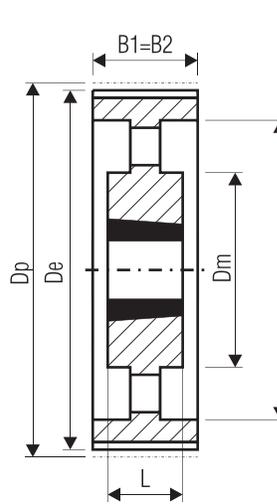
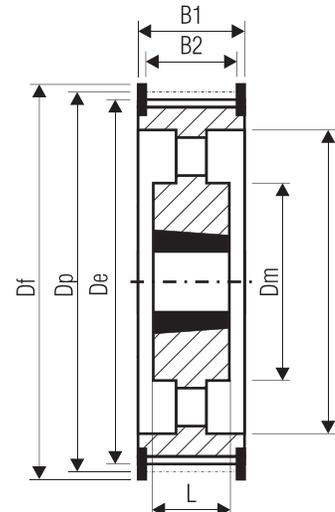
N° denti / Teeth nr.....

Profilo e passo / Profile and pitch

Note / Notes.....

Riferimento n° / Reference nr




8WF

8W

8A

8F

5F

4F

3F

9W

9W F

9A

9AF

MEGADYNE GROUP

| | | |
|--|---------------------|------------------------|
| MEGADYNE S.&D. s.r.l. - C.so Kennedy, 8 - 10070 ROBASSOMERO (TO) - Italy - www.megadynesd.com - info@megadynesd.com | PH: +39 011 9241740 | FAX: +39 011 92 41 746 |
| UNITA' PRODUTTIVA DI CAPONAGO - Via Privata da Str. Provinciale 215 - 20040 CAPONAGO (MI) - Italy | PH: +39 02 95746193 | FAX: +39 02 95746186 |
| MEGADYNE s.r.l. - Via Trieste 16 - 10075 MATHI (TO) - Italy - www.megadyne.it - mail@megadyne.it | PH: +39 011 9268052 | FAX: +39 011 9268487 |
| MEGADYNE AMERICA LLC - 10348 Southern Loop Boulevard - PINEVILLE NC 28134 - USA | PH: +1 704 5835388 | FAX: +1 704 5835355 |
| MEGADYNE CE - Ul. Piękna 13 85 - 303 BYDGOSZCZ - Poland | PH: +48 52 3487712 | FAX: +48 52 3487715 |
| MEGADYNE CHINA - 1/Floor, Building N°4, Yong Hong Ind. Area Da Fu South Road - Foshan GUANGDONG 528000 China | PH: +86 75783815530 | FAX: +86 757 83828207 |
| MEGADYNE CZ - Ocelářskáčp 891 - 19000 PRAGUE 9 - Czech Republic | PH: +420 2 84817181 | FAX: +420 2 84813105 |
| MEGADYNE DO BRASIL LTDA - Rua Maria Curupaiti 1169 Imirim SP.CEP. 024252-002 SAO PAULO - Brasil | PH: +5511 62361332 | FAX: +5511 62366683 |
| MEGADYNE EE - St. K. Chornogo 31- Office 901 - MINSK - Belarus | PH: +37517 2662486 | FAX: +37517 2856467 |
| MEGADYNE FRANCE - 15 Rue Gustave Madiot, ZI Les Bordes - 91923 BONDOUFLE CEDEX - France | PH: +33 1 60798200 | FAX: +33 1 60798201 |
| MEGADYNE GmbH - Nikolaus Otto Str. 24 - 33178 BORCHEN - Deutschland | PH: +49 5251 87350 | FAX: +49 5251 8735200 |
| MEGADYNE SLOVAKIA - Blatná na Ostrove 199 - 93032 BLATNA NA OSTROVE - Slovakia | PH : +421 315511122 | FAX: +421 315511122 |
| MEGADYNE U.K. - Gildersome Spur - LEEDS - LS27 7JZ - U.K. | PH: +44 11 32382910 | FAX: +44 1132383870 |
| MEGADYNE HU Kft - Mag. u. 3. 10/1 - 1214 BUDAPEST - Hungary | PH : +36 14270406 | FAX: +36 12785279 |
| MEGADYNE RUBBER SA - C.tra De L'Arboc, KM 1,7 - 08800 - VILANOVA I LA GELTRU' (BARCELONA) - Spain | PH : +34 93 8115450 | FAX: +34 93 8115470 |